

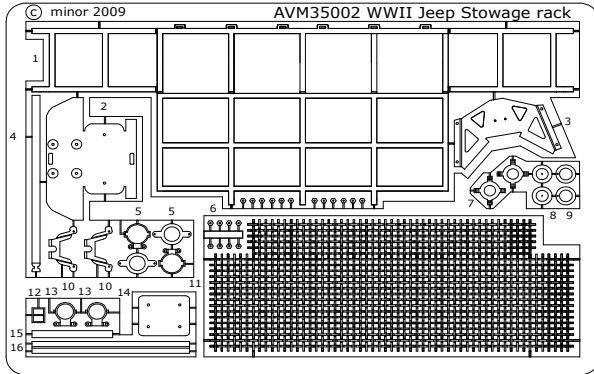
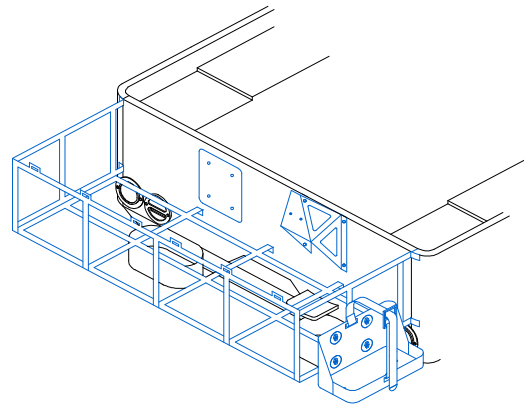
# WWII Jeep stowage rack

**AVM35002** 1/35 scale photoetched accessory set  
 For Tamiya kit, adaptable to Italeri and Revell kits  
 For advanced modelers

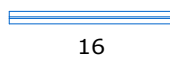
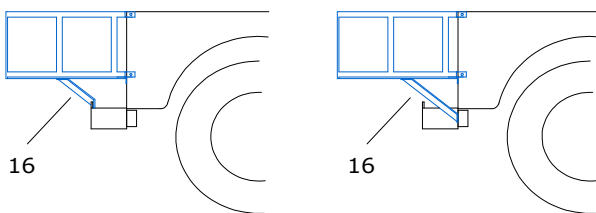
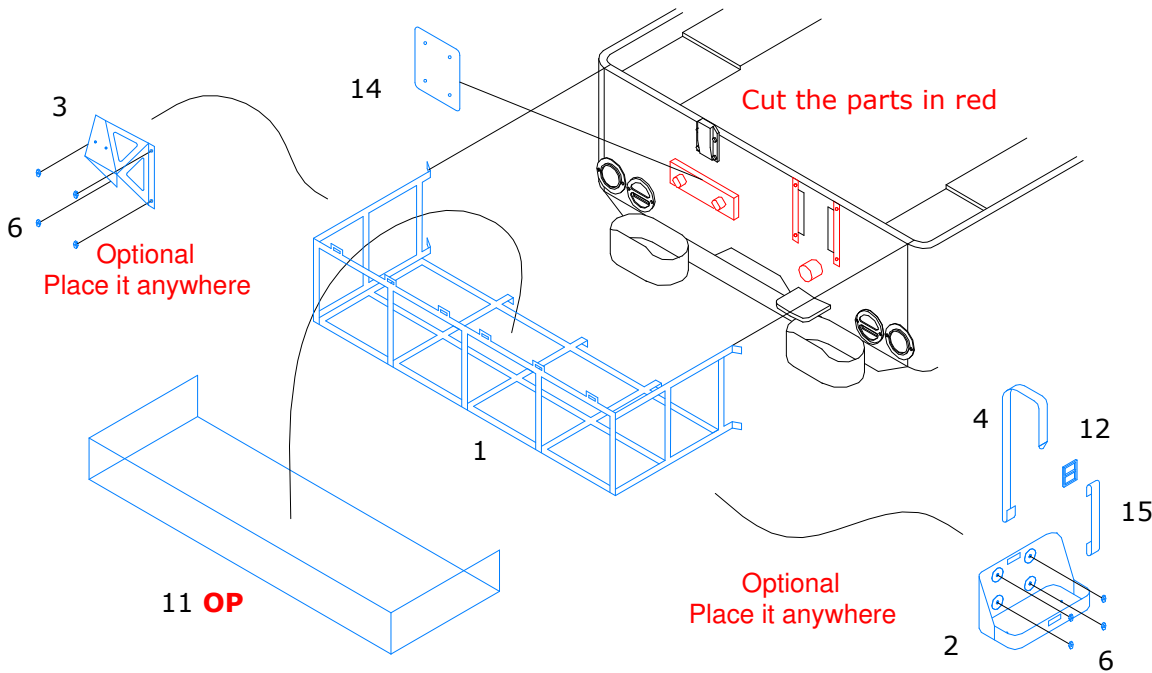
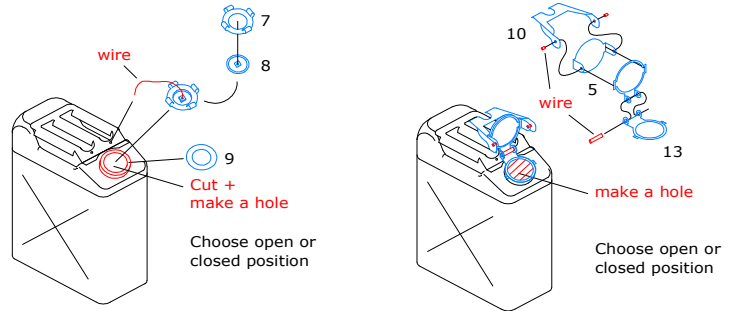


Made in Europe 2010  
[www.minor-web.com](http://www.minor-web.com)

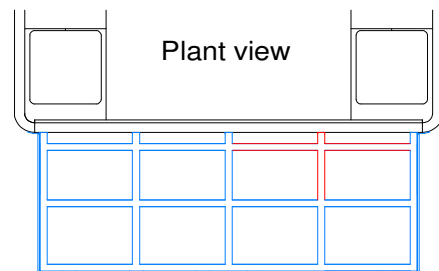
**CAUTION** This product contain small pieces,  
 not suitable for childrens under 10 years



**Bend** (curved arrow)    **Symmetrically (Both sides)** (diamond)    **OP** Optional (square)    **Original parts** (black square)    **minor kit parts** (blue square)    **Scratchbuilt or modified parts** (red square)



Place the reinforcements as your choice,  
 cut the n°16 piece as large required.



Cut the parts in red to mount  
 the rack along the spare wheel