

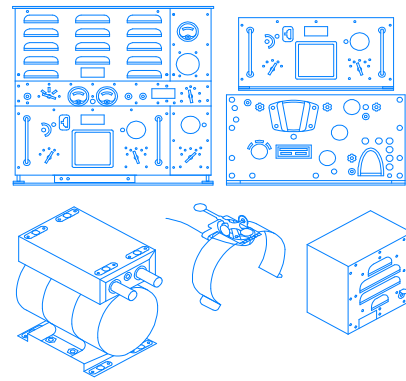
# SCR-193 U.S. WWII radio set

AVM35004 1/35 scale photoetched accessory set

for advanced modelers

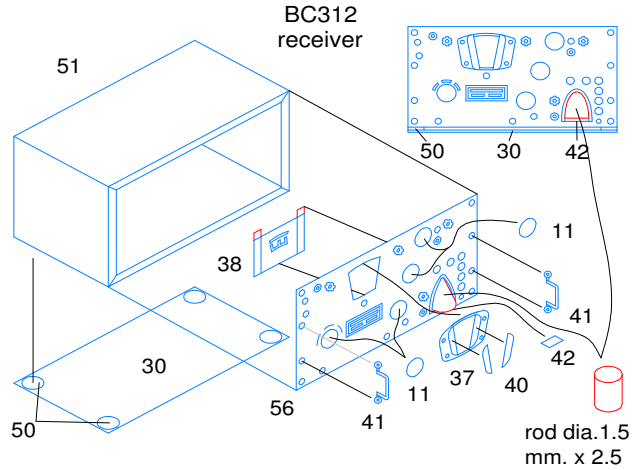
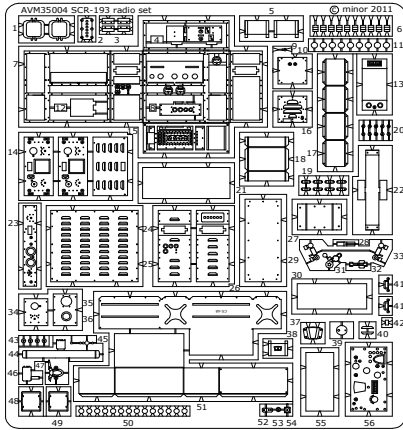


Made in Spain 2011  
[www.minor-web.com](http://www.minor-web.com)

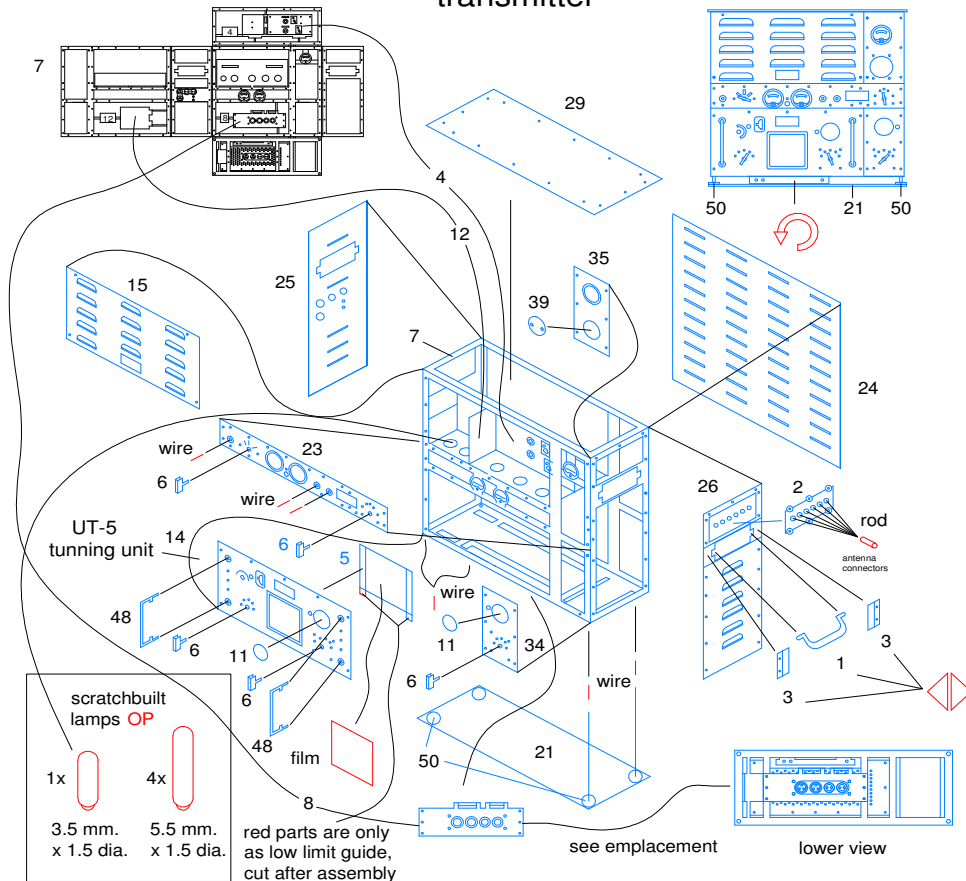


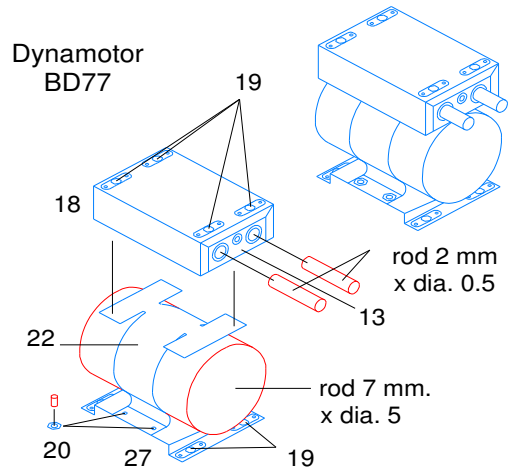
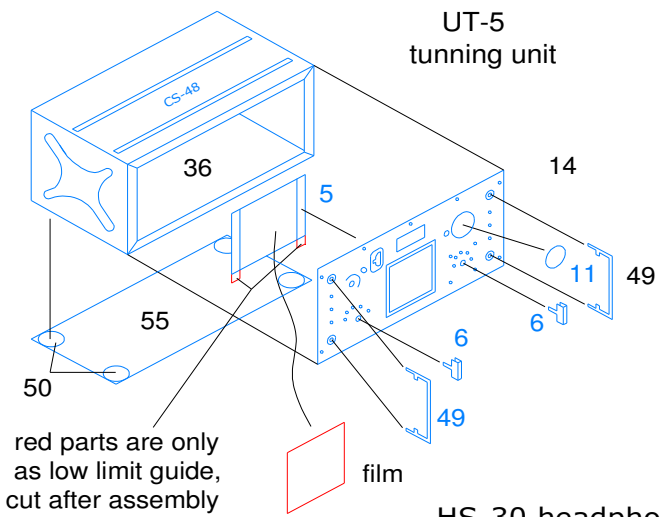
**CAUTION** This product contain small pieces,  
 not suitable for childrens under 10 years

- Bend
- Symmetrically  
 (Both sides)
- OP**  
 Optional
- Original parts
- minor  
 kit parts
- Scratchbuilt or  
 modified parts

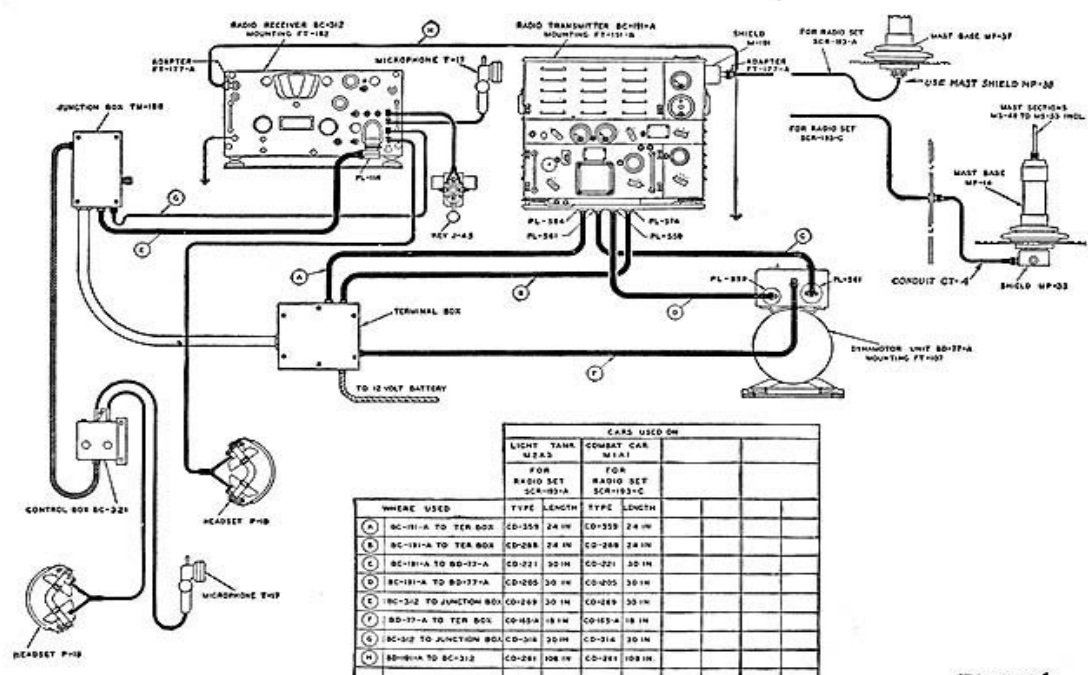
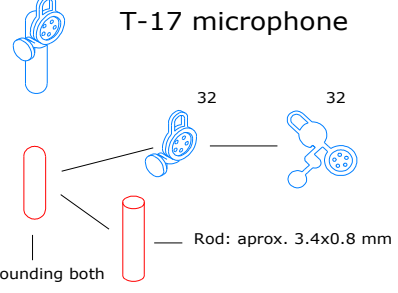
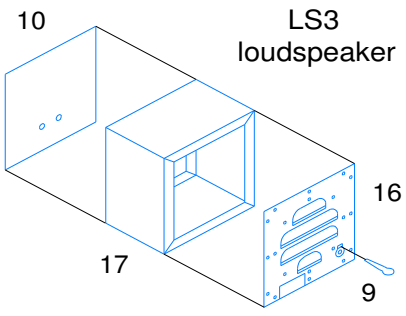
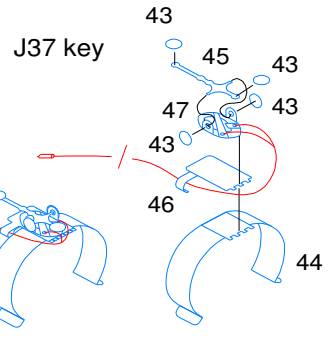
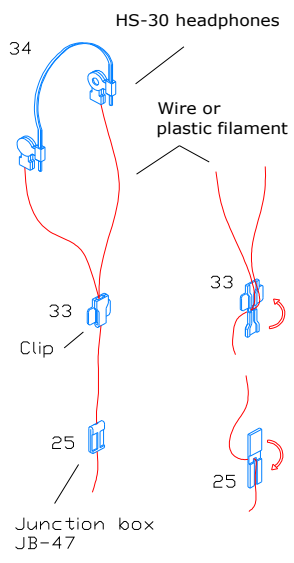


## BC191 transmitter





HS-30 headphones set



WHERE USED		LIGHT TANK M2X3		COMBAT CAR M1A1	
		TYPE	LENGTH	TYPE	LENGTH
(A)	BC-111-A TO TER BOX	CD-353	24 IN	CD-353	24 IN
(B)	BC-111-A TO TER BOX	CD-248	24 IN	CD-248	24 IN
(C)	BC-111-A TO BD-77-A	CD-221	30 IN	CD-221	30 IN
(D)	BC-111-A TO BD-77-A	CD-265	30 IN	CD-265	30 IN
(E)	BC-312 TO JUNCTION BOX	CD-249	30 IN	CD-249	30 IN
(F)	BD-77-A TO TER BOX	CD-154	18 IN	CD-154	18 IN
(G)	BC-312 TO JUNCTION BOX	CD-314	30 IN	CD-314	30 IN
(H)	BD-77-A TO BC-312	CD-241	108 IN	CD-241	108 IN

TL-2226

FIGURE 12.—Radio sets SCR-193-A and SCR-193-C, cording diagram.