

Crane for Kettenrad

3d printed + p.e. Parts

AVM35073

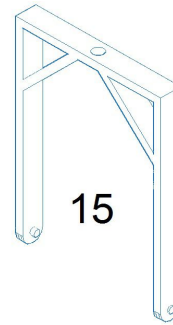
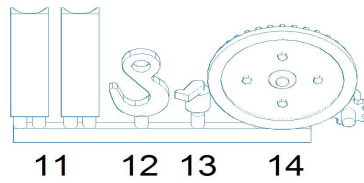
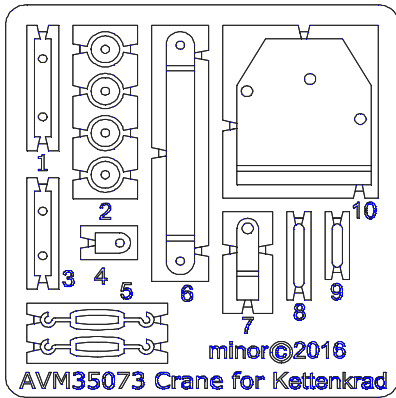
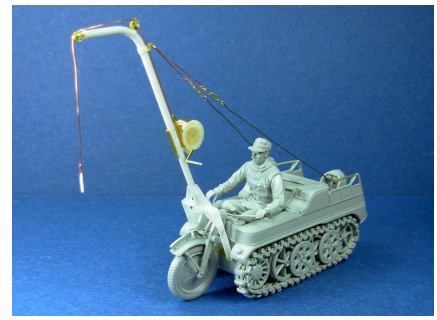
1/35 scale set

minor 

Made in Europe 2016

www.minor-web.com

CAUTION This product contain small pieces,
not suitable for childrens under 10 years



rod: dia.0.5

