

Workable leaf springs & windshield armour & accessories

for WWII U.S. 1/4 ton 4x4 truck

GM24001

1/24 scale photoetched set

Made in EU 2012

www.minor-web.com

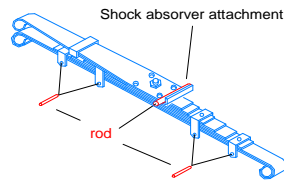
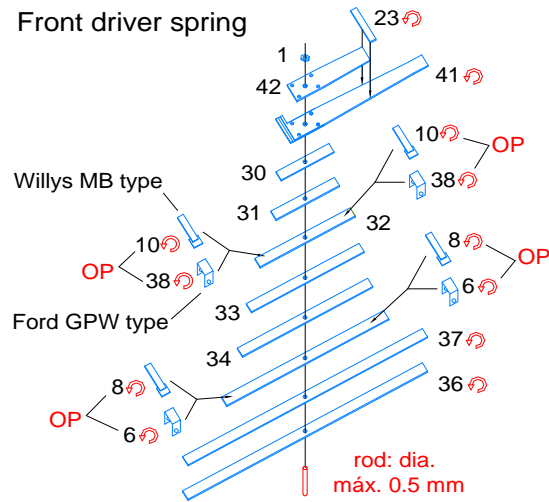
minor 



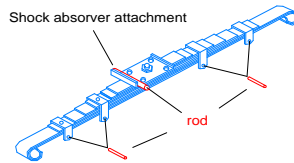
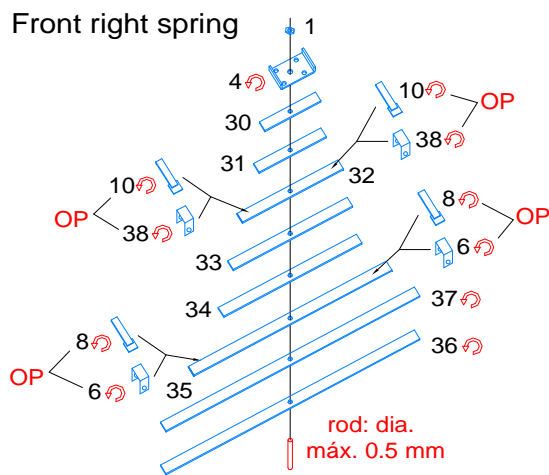
CAUTION This product contain small pieces,
not suitable for childrens under 10 years

- 
Bend
- 
Symmetrically
(Both sides)
- 
Optional
- 
Original parts
- 
minor
kit parts
- 
Scratchbuilt or
modified parts

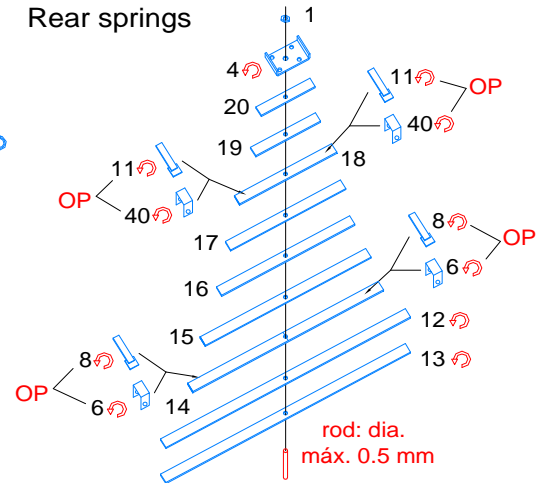
Front driver spring



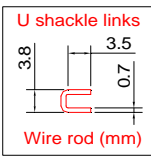
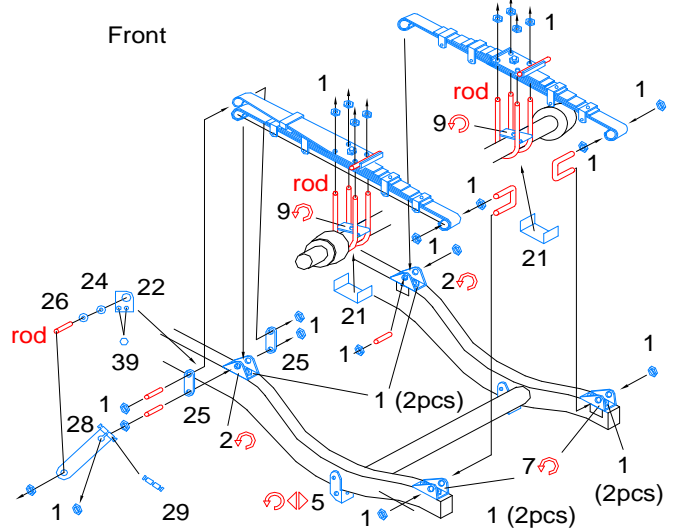
Front right spring



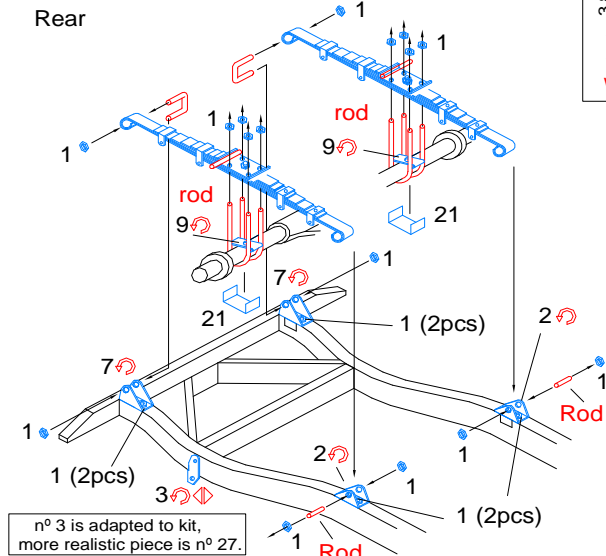
Rear springs



Front

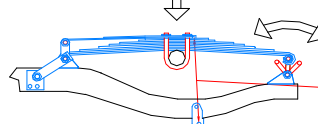


Rear

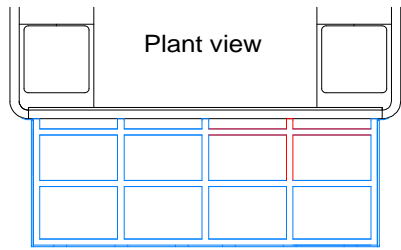
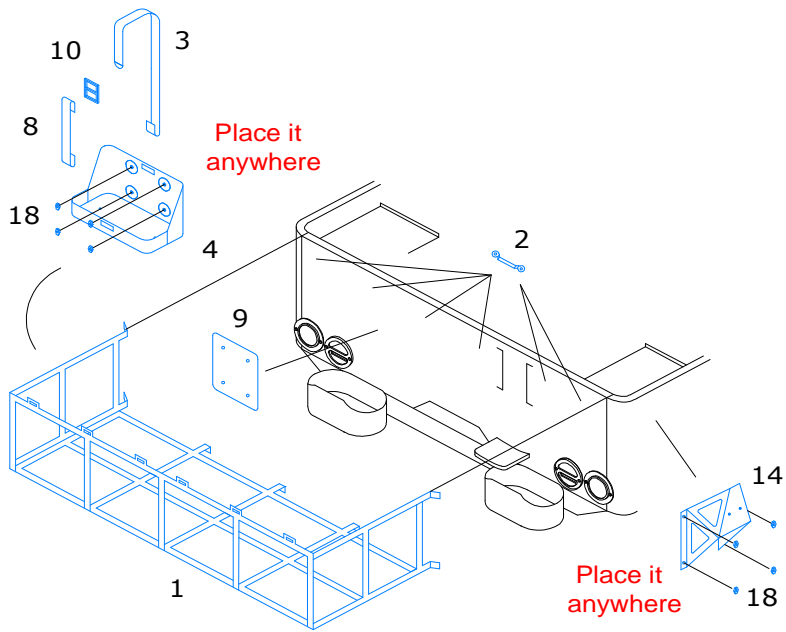
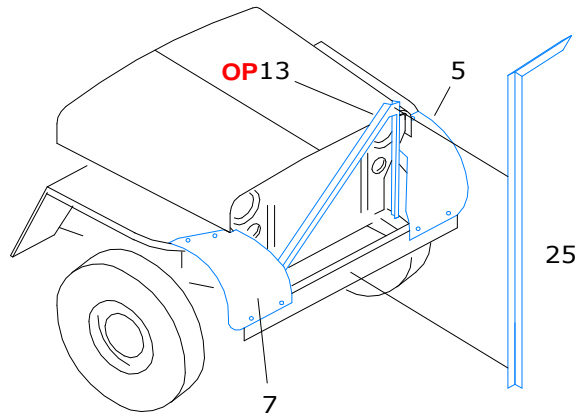
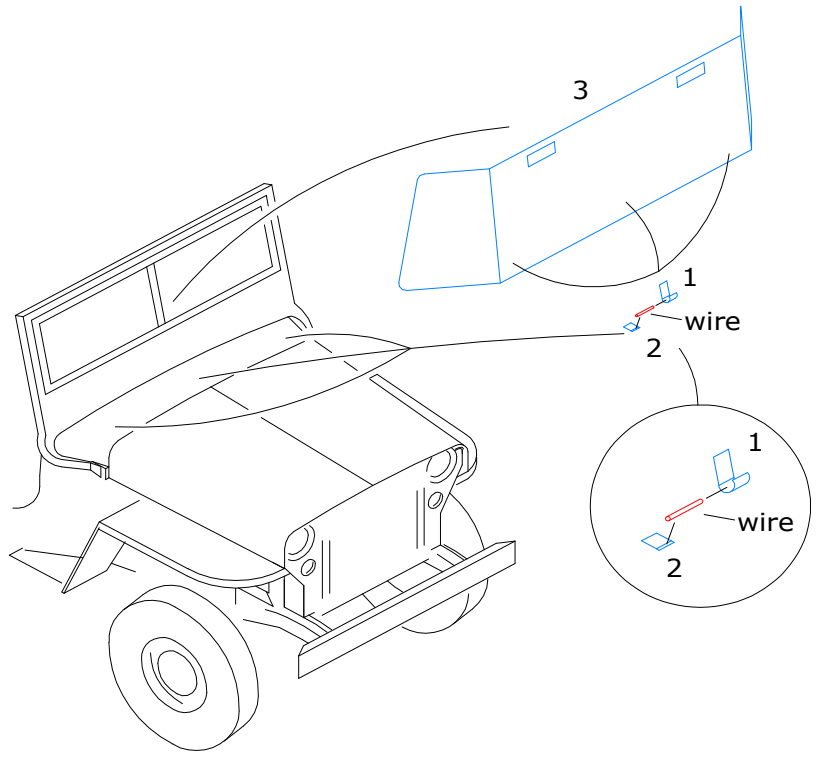


To do over all springs

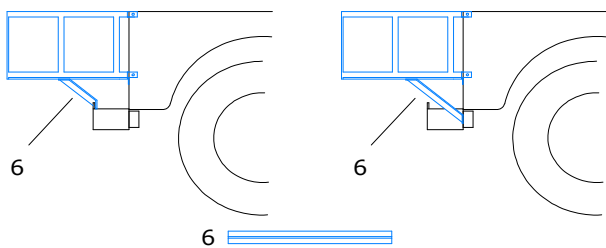
Press or pull out the leaf spring
to get the wanted position



Rework the original shock
absorber to adapt it to
definitive spring position.



Cut the parts in red to mount the rack along the spare wheel



Place the reinforcements as your choice, cut the n°16 piece as large as required.

