

# SCR510 U.S. WWII radio set

+

## stowage rack set

for WWII U.S. 1/4 ton. truck

GM35001 (AVM35002 + AVM35003) 1/35 scale

for Tamiya kit, adaptable to Italeri and Revell kits

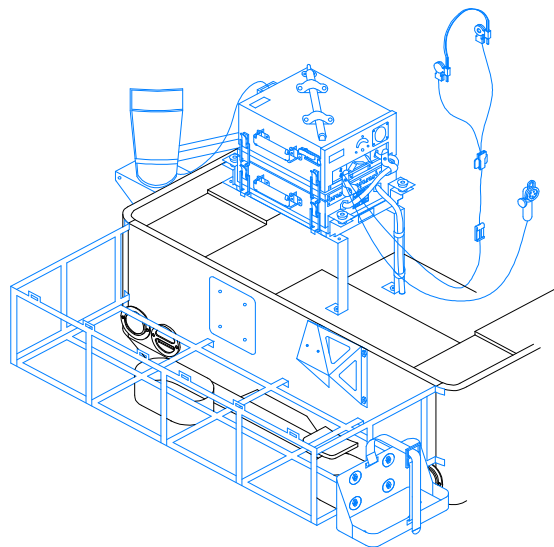
photoetched accessory set For advanced modelers



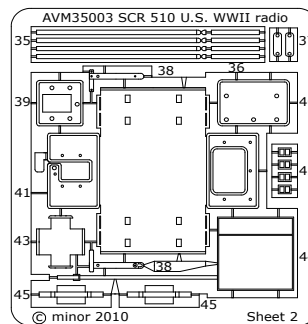
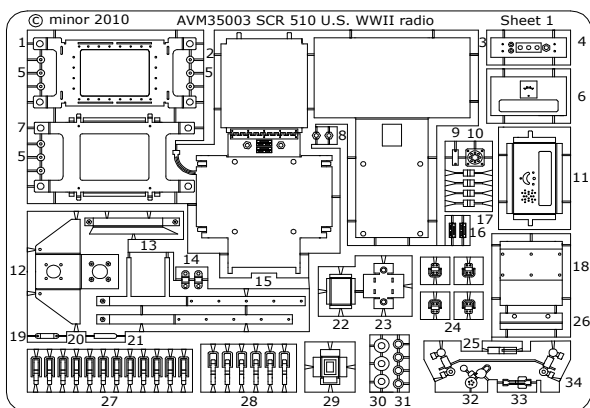
Made in Spain 2010

[www.minor-web.com](http://www.minor-web.com)

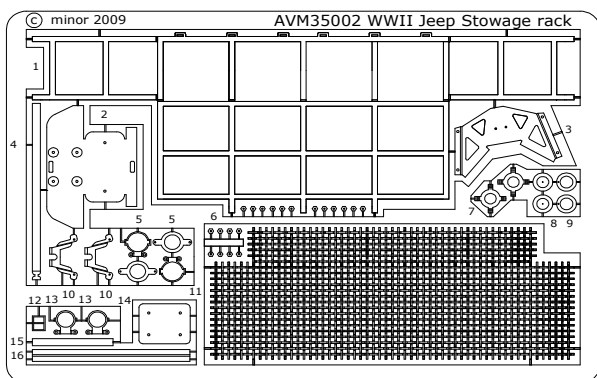
**CAUTION** This product contain small pieces,  
not suitable for childrens under 10 years



## SCR510 U.S. WWII radio set



## WWII 1/4 ton. truck stowage rack



Bend



Symmetrically  
(Both sides)

OP

Optional



Original parts



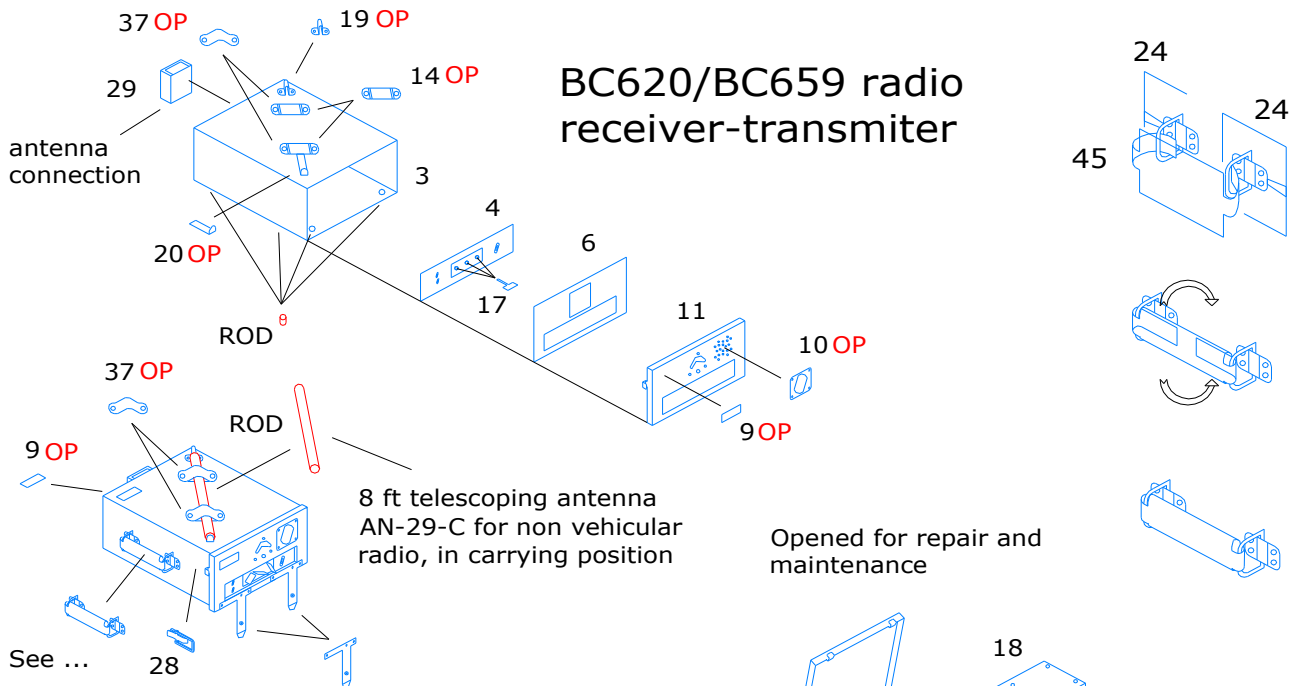
minor  
kit parts



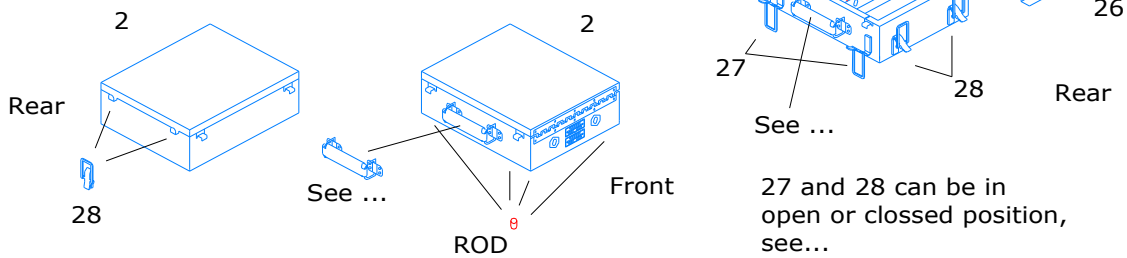
Scratchbuilt or  
modified parts

# SCR510 U.S. WWII radio set

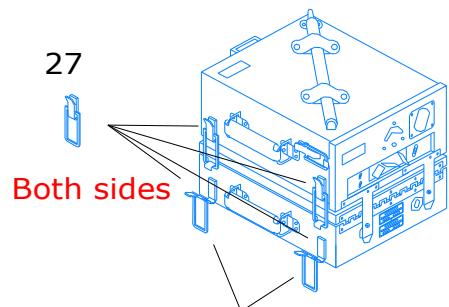
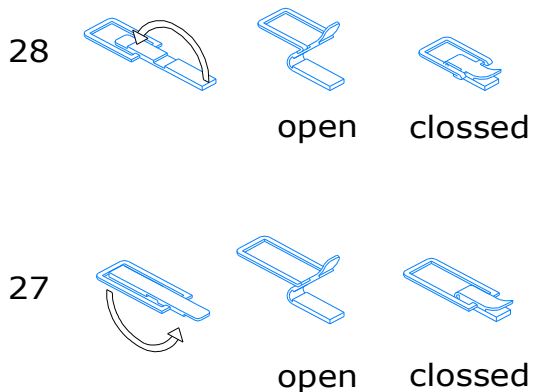
## BC620/BC659 radio receiver-transmitter



## PE-120 power unit



## Book fasteners



Only when radio set is alone; book fasteners of PE-120 can be in open or closed position, see *book fasteners* assembly

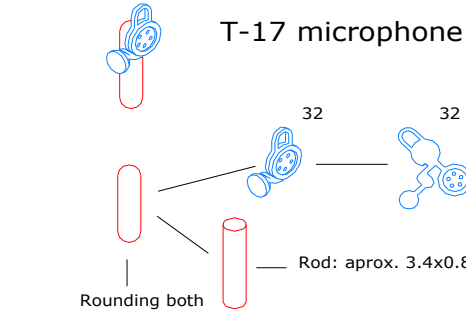


fig.1

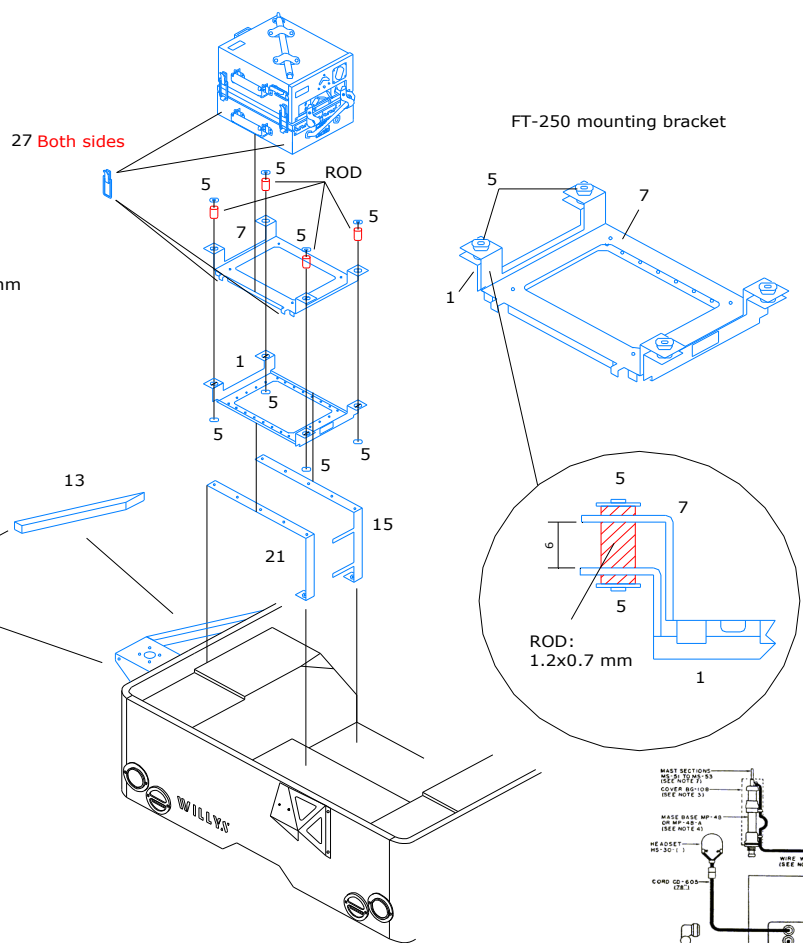
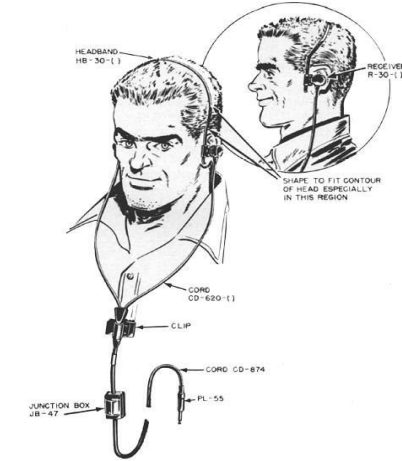
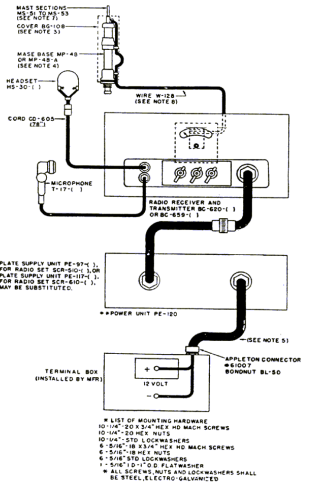
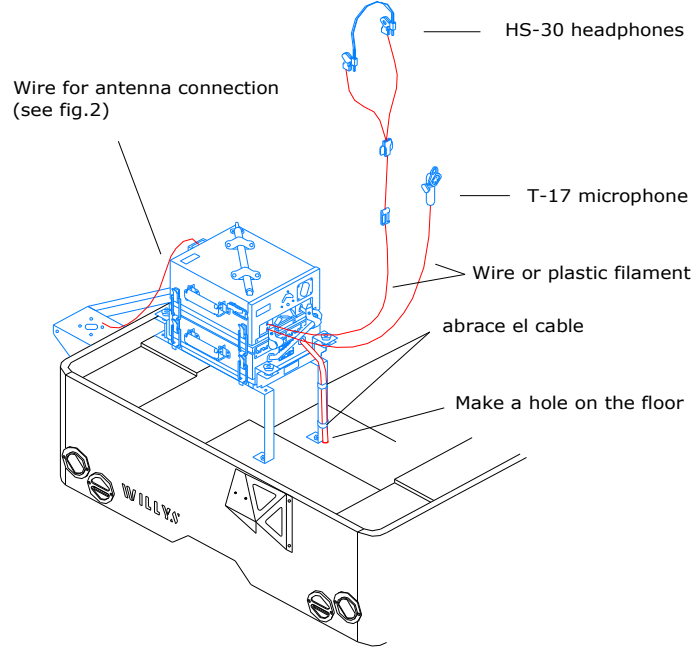
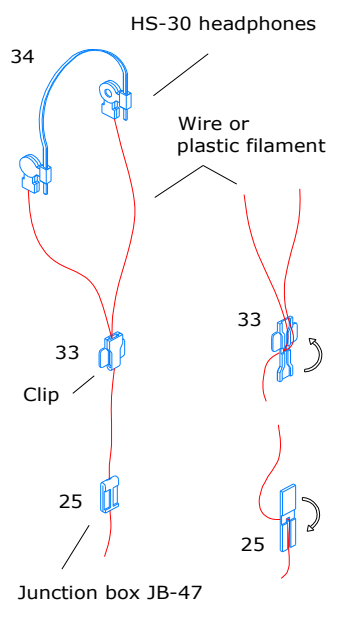
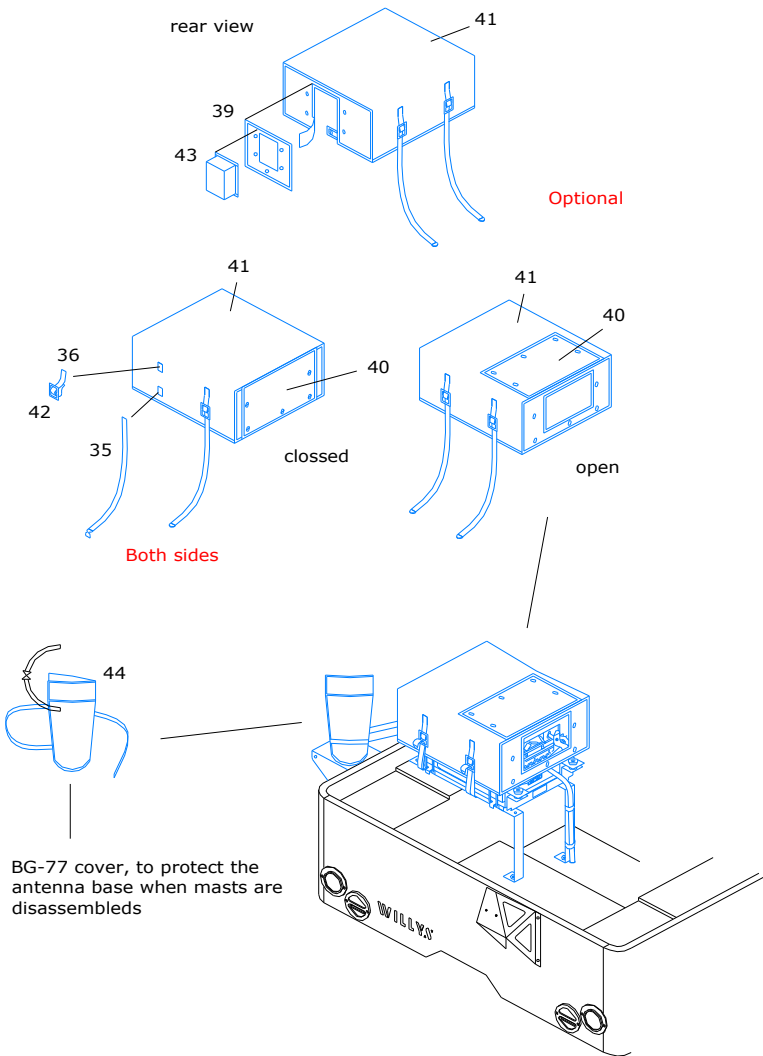


fig.2



### HS-30 headphones set



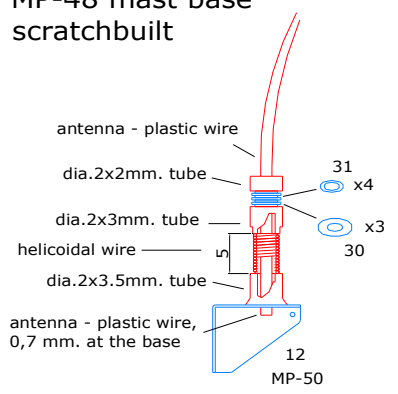


Optional

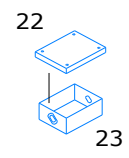
Both sides

BG-77 cover, to protect the antenna base when masts are disassembled

### MP-48 mast base scratchbuilt

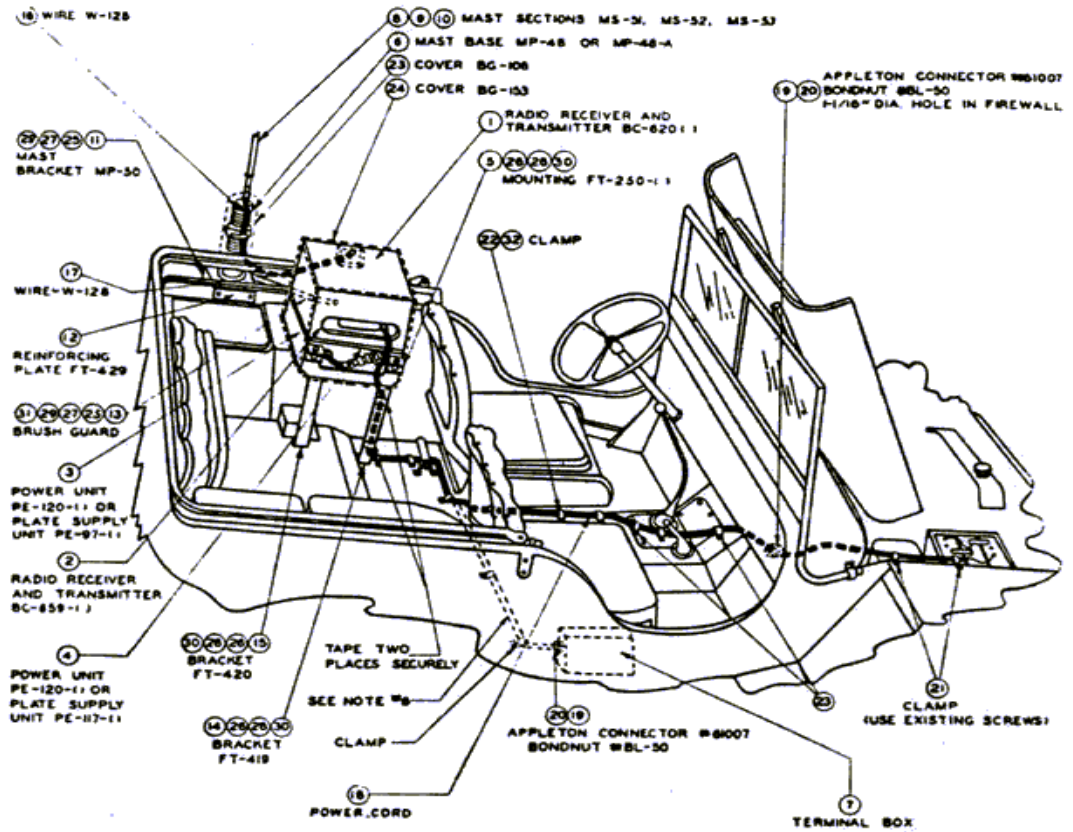


### Terminal box

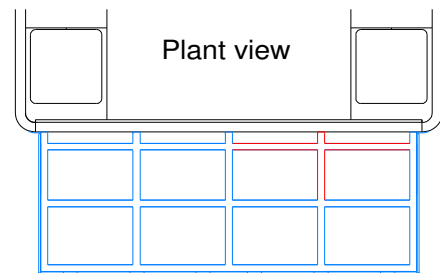
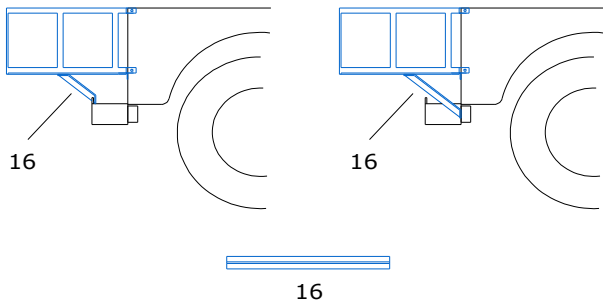
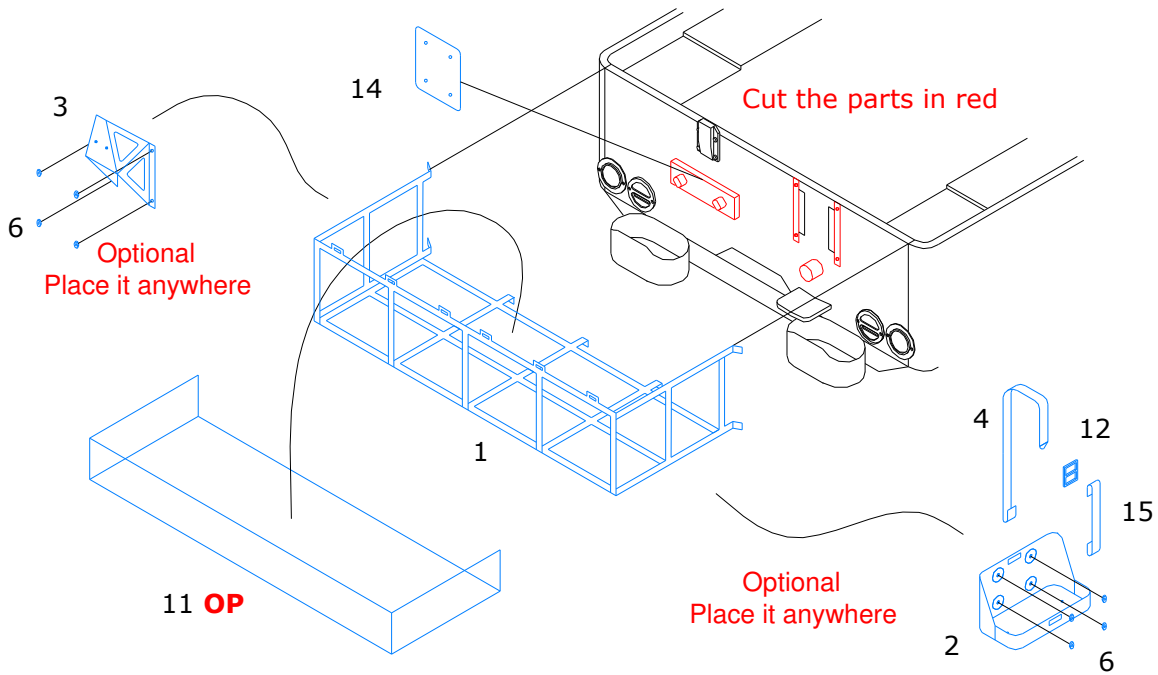


See fig.3 for placement

fig.3



# WWII 1/4 ton. truck stowage rack



Place the reinforcements as your choice, cut the n°16 piece as large required.

Cut the parts in red to mount the rack along the spare wheel

