

SCR510 U.S. WWII radio set + workable leaf springs + stowage rack for WWII U.S. 1/4 ton. truck

GM35002 (AVM35002 + AVM35003 + VMD35000)

UPDATED level "a" 21-April-2011

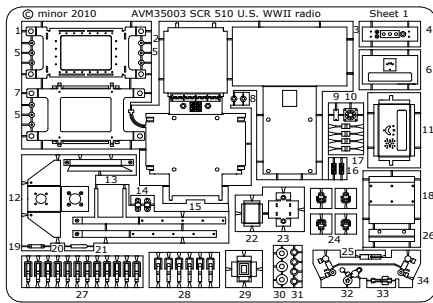
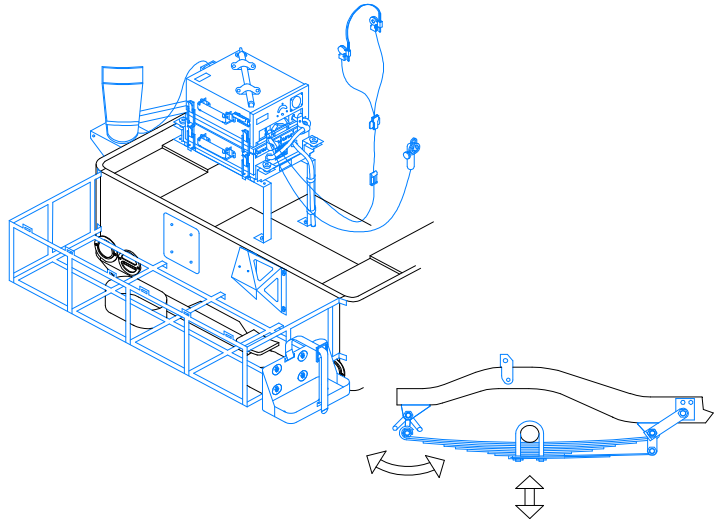
for Tamiya kit, adaptable to Italeri and Revell kits

1/35 scale photoetched set for advanced modelers

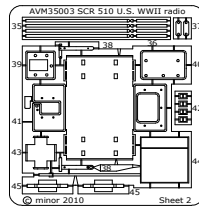


Made in Spain 2010
www.minor-web.com

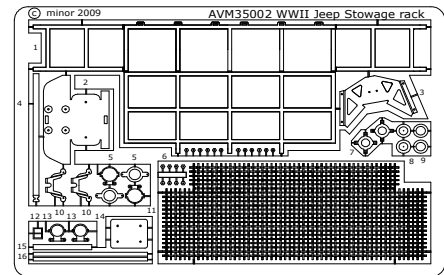
CAUTION This product contain small pieces,
not suitable for childrens under 10 years



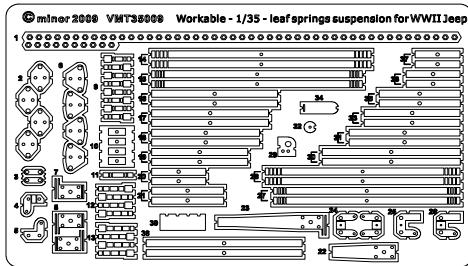
SCR510 U.S. WWII radio set



WWII 1/4 ton. truck stowage rack



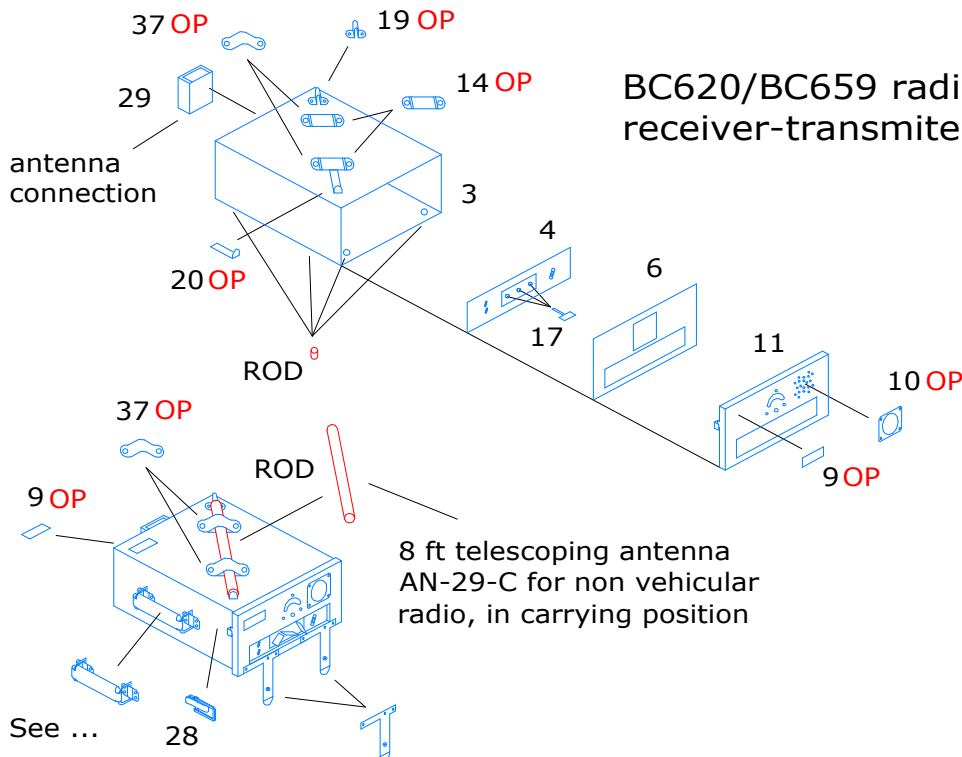
workable leaf springs



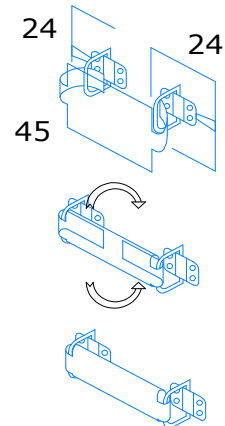
- Bend
- Symmetrically
(Both sides)
- OP**
Optional
- Original parts
- minor**
kit parts
- Scratchbuilt or
modified parts

SCR510 U.S. WWII radio set

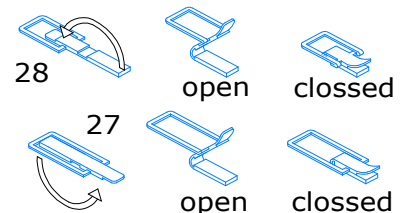
BC620/BC659 radio
receiver-transmitter



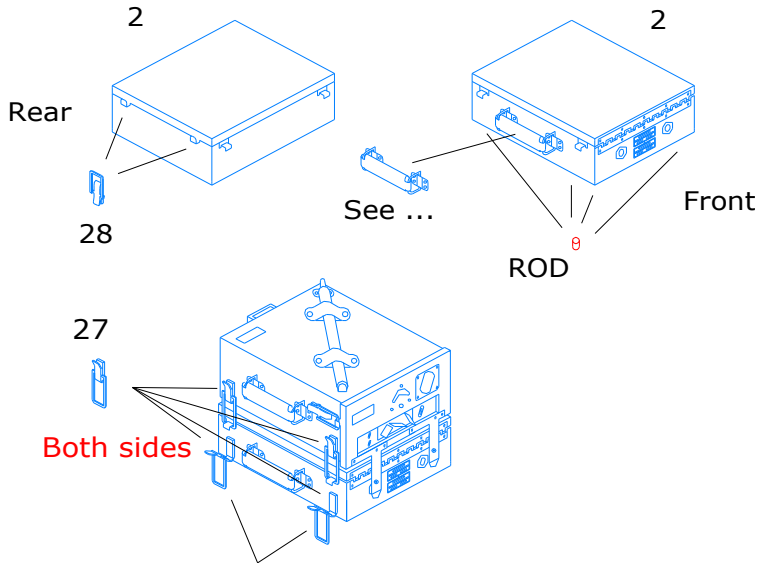
Handles



Book fasteners

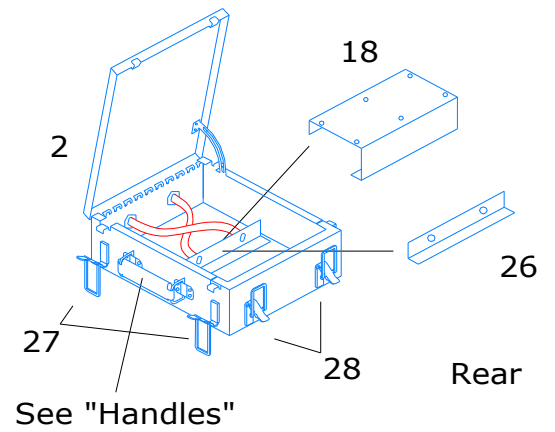


PE-120 power unit



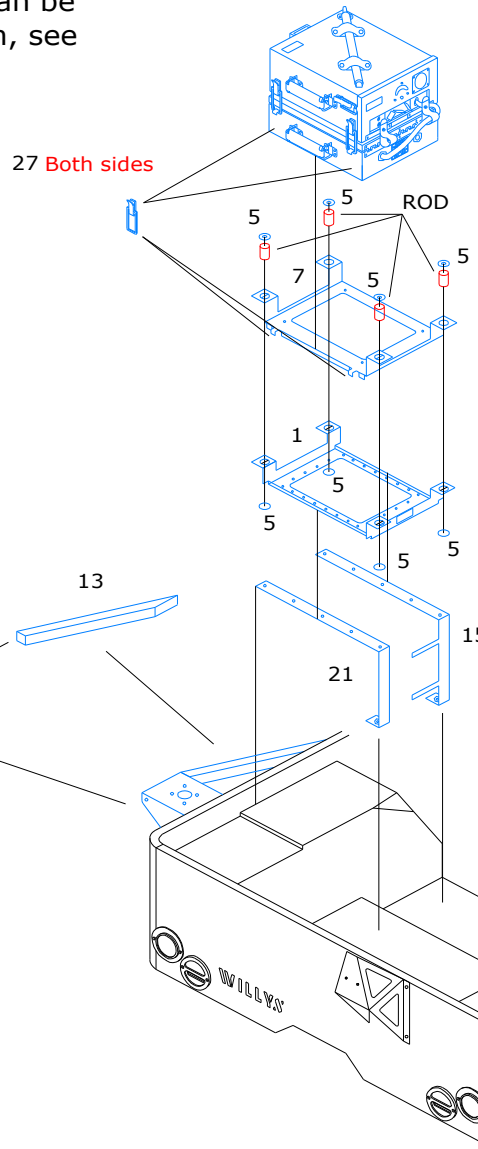
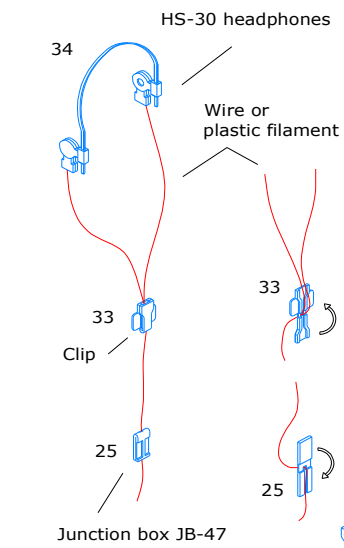
Only when radio set is alone;
book fasteners of PE-120 can be
in open or closed position, see
book fasteners assembly

Opened for repair and maintenance



27 and 28 can be in open
or closed position, see
"Book fasteners"

HS-30 headphones set



FT-250 mounting bracket

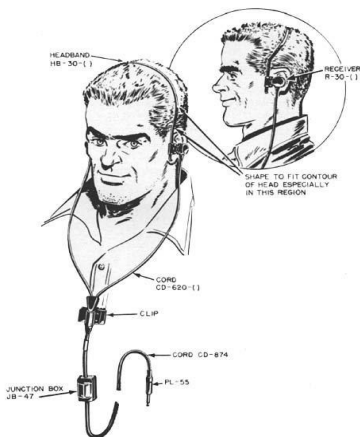
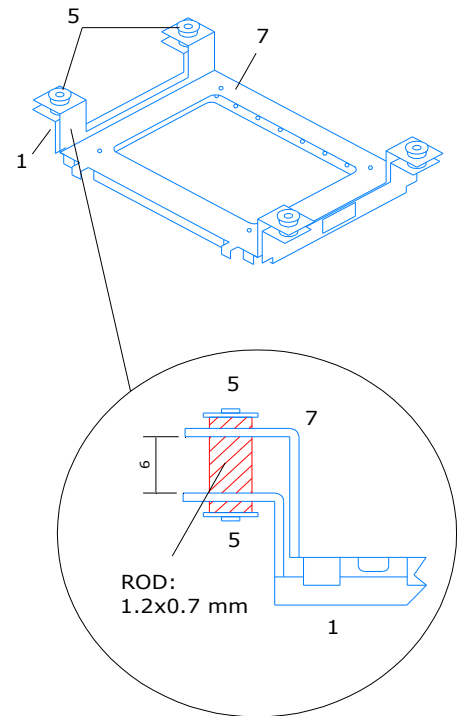
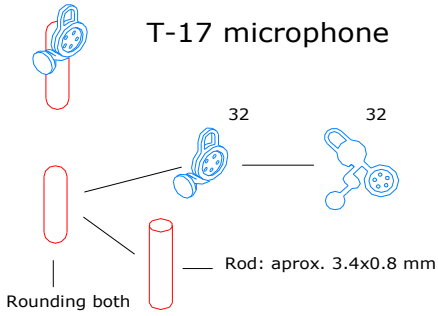
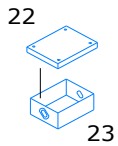


fig.1

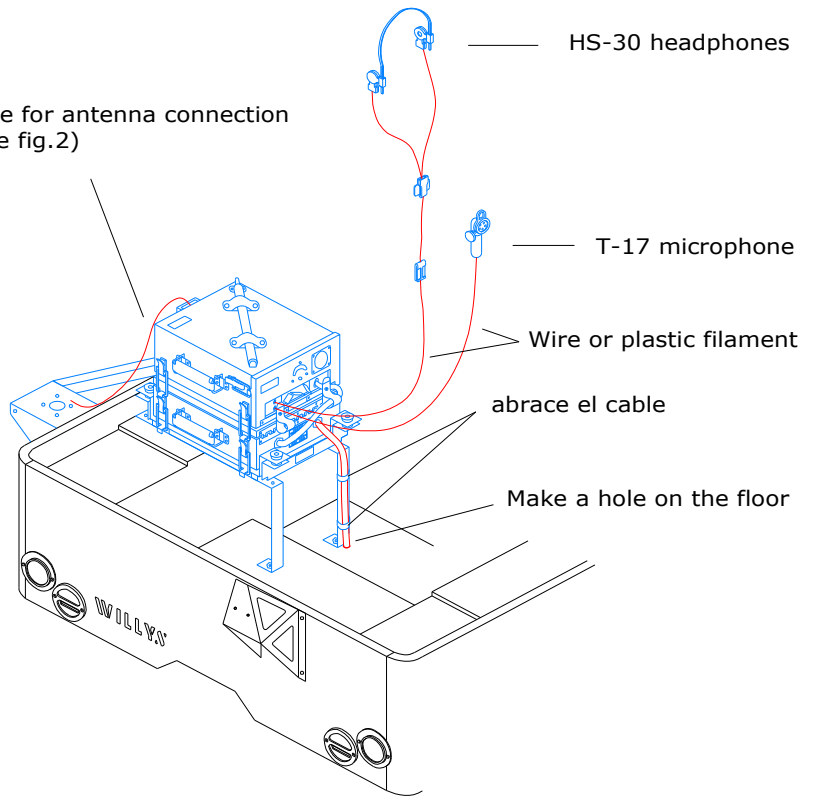


Terminal box



See fig.3 for placement

Wire for antenna connection (see fig.2)



rear view

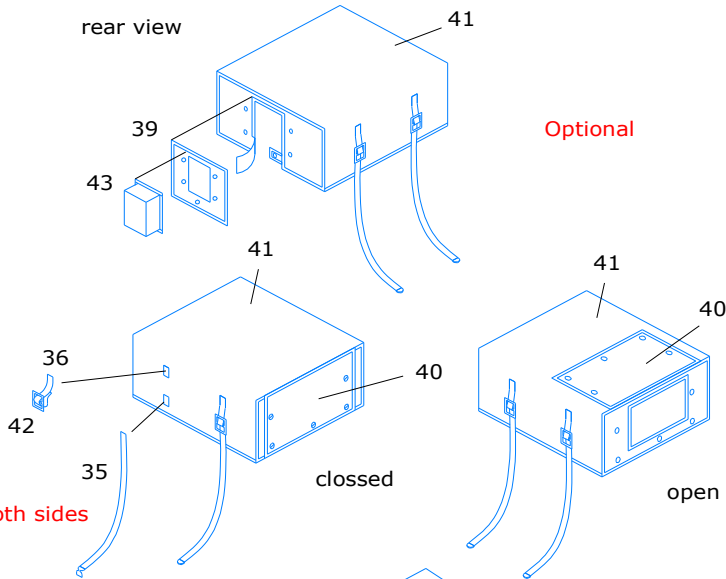
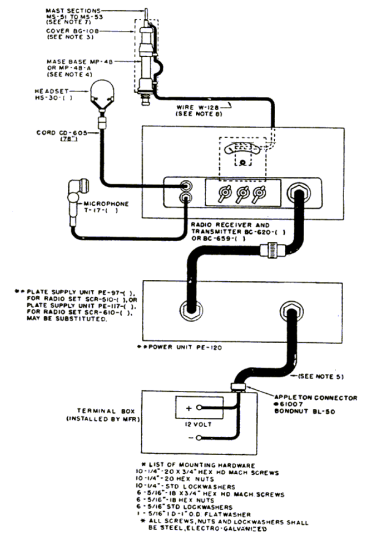
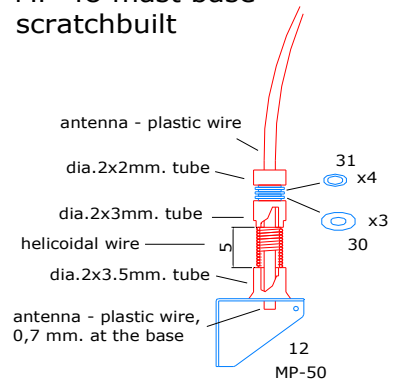


fig.2

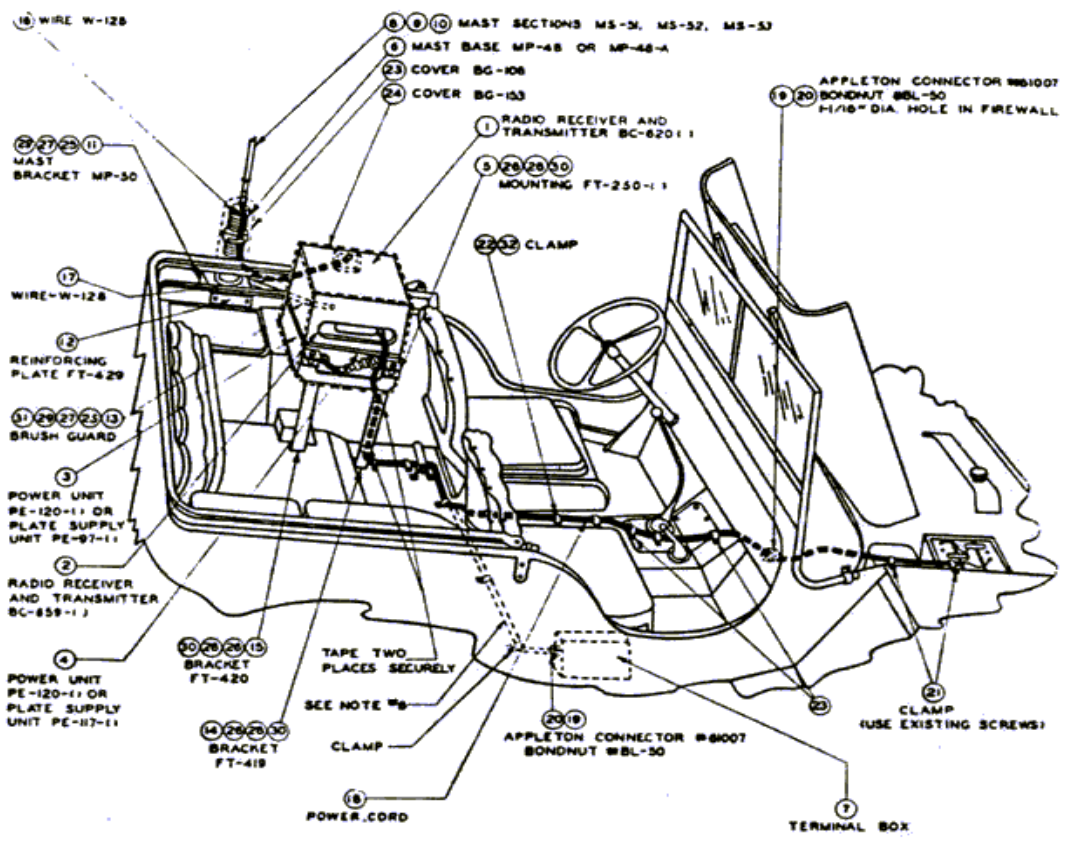


MP-48 mast base scratchbuilt

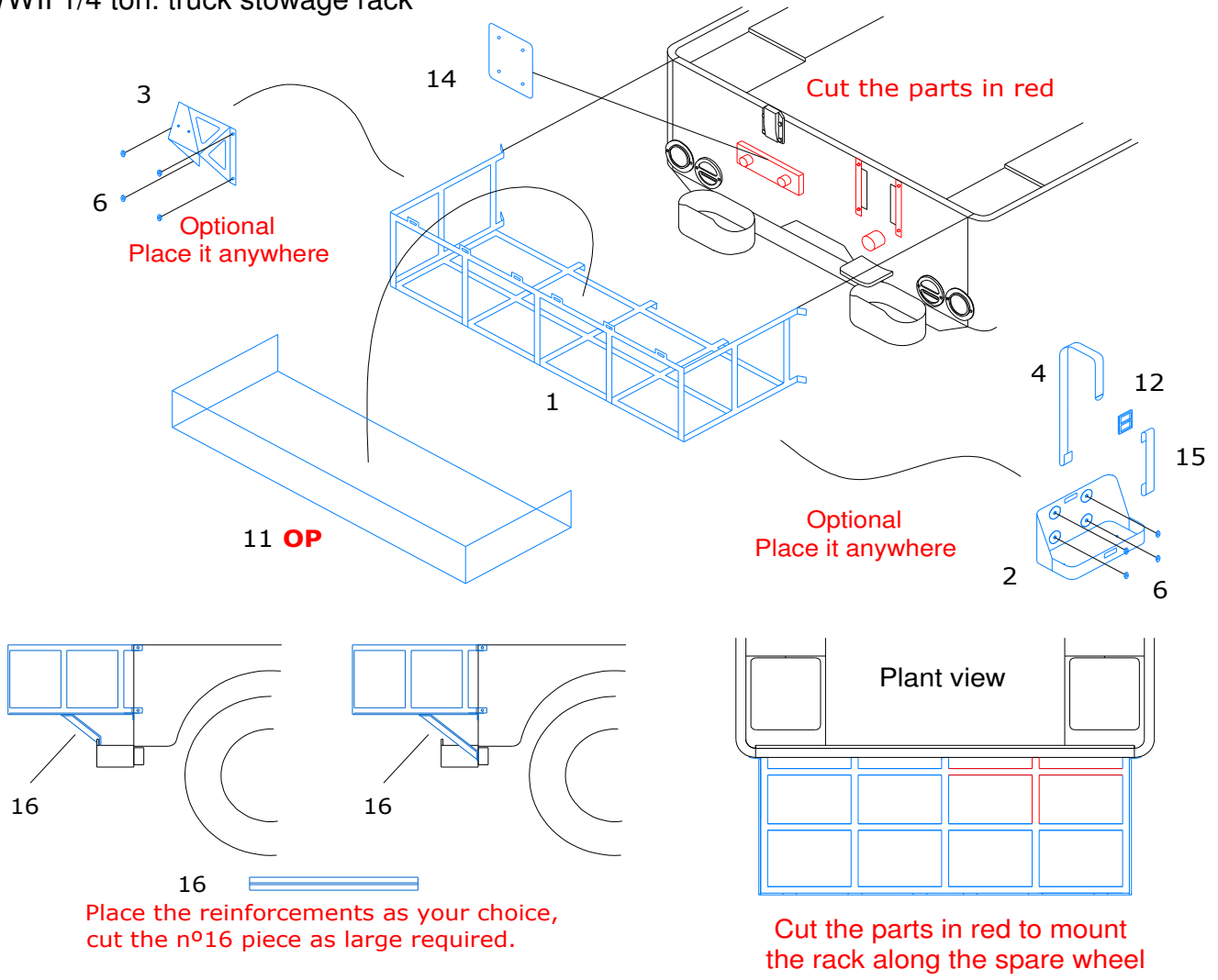


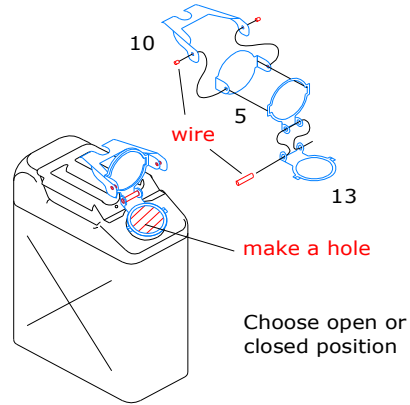
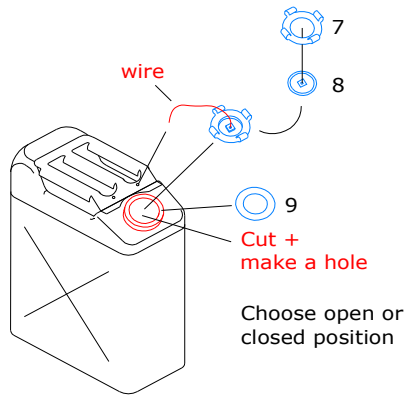
BG-77 cover, to protect the antenna base when masts are disassembled

fig.3

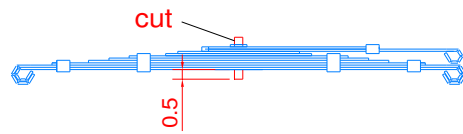
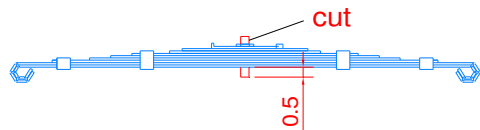
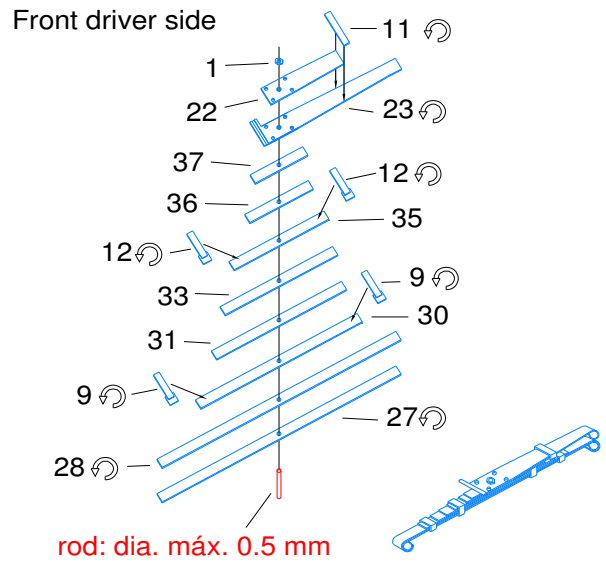
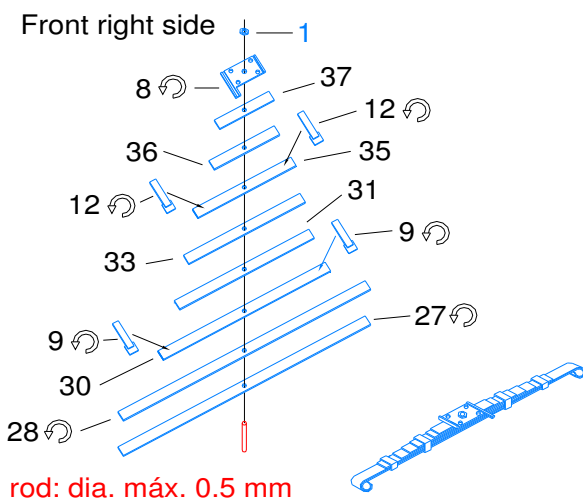


WWII 1/4 ton. truck stowage rack

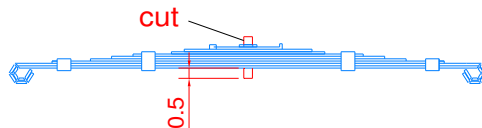
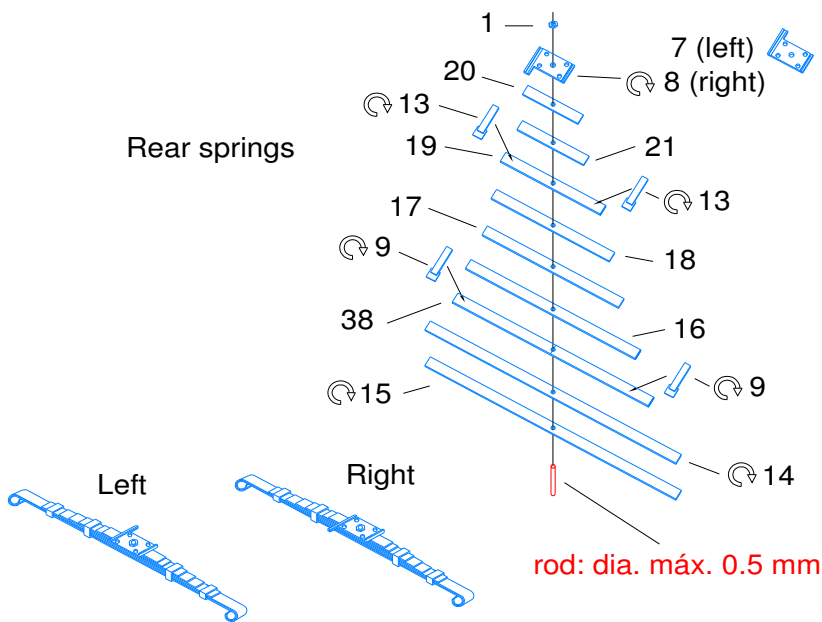


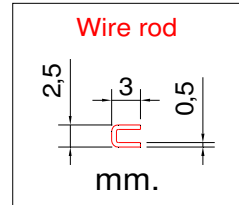
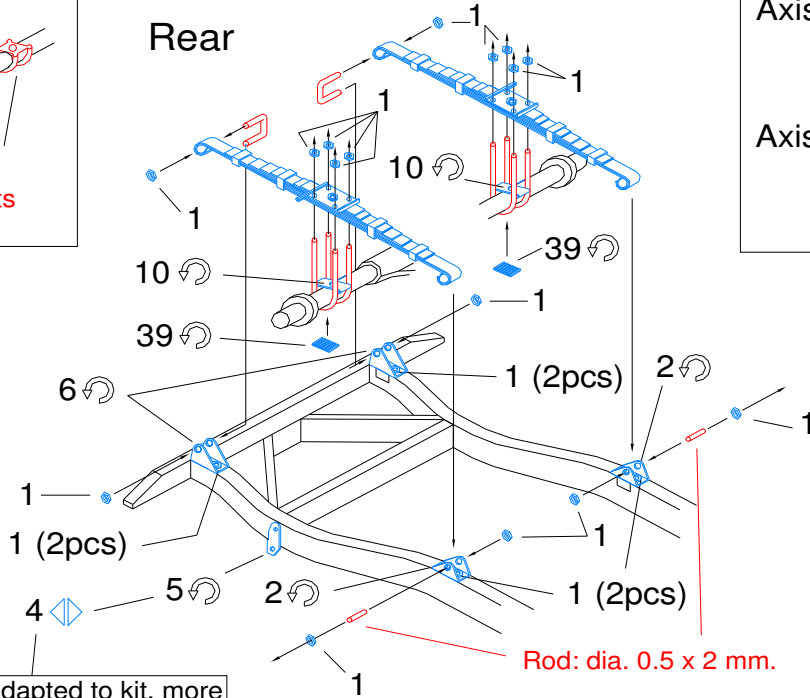
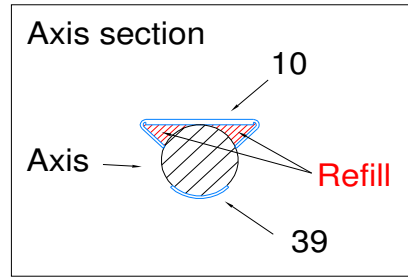
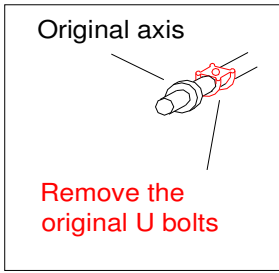


workable leaf springs



Rear springs





n° 4&5 are adapted to kit, more realistic pieces are n° 25&26.

