

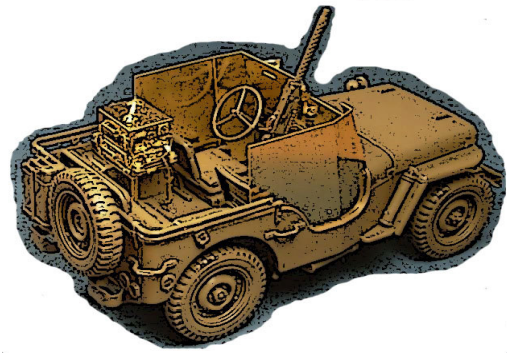
# Armoured WWII U.S. Jeep

+

## SCR510 U.S. WWII radio set

for WWII U.S. 1/4 ton. truck

GM35003 (VMT35008 + AVM35003) 1/35 scale  
 for Tamiya kit, adaptable to Italeri and Revell kits  
 photoetched set For advanced modelers



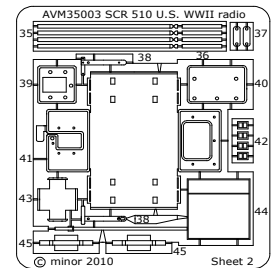
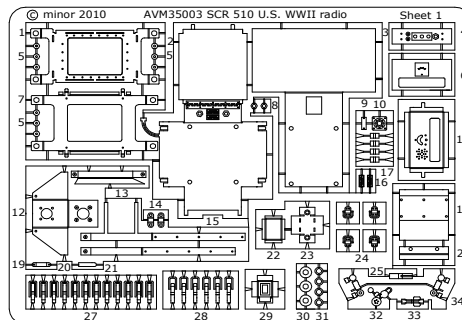
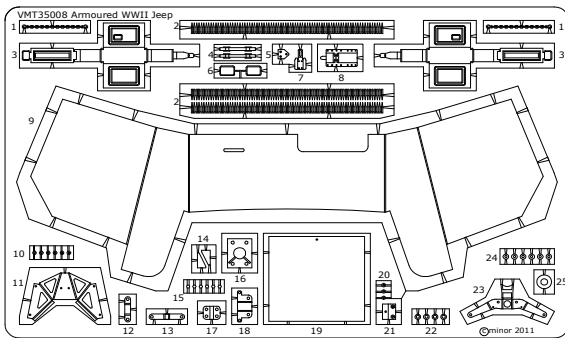
**minor**  Made in Spain 2010  
[www.minor-web.com](http://www.minor-web.com)

**CAUTION** This product contain small pieces,  
 not suitable for childrens under 10 years

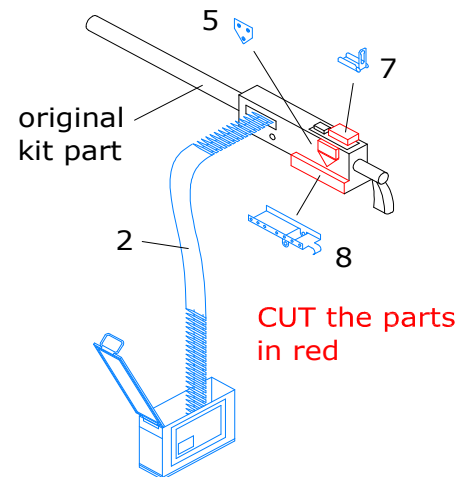
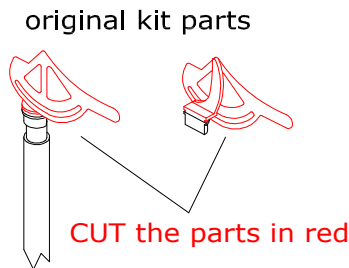
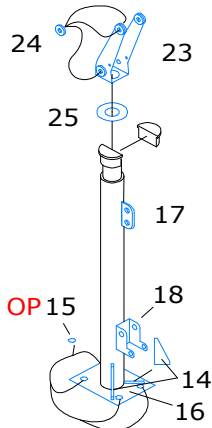
 Bend  Symmetrically (Both sides) **OP** Optional  Original parts  minor kit parts  Scratchbuilt or modified parts

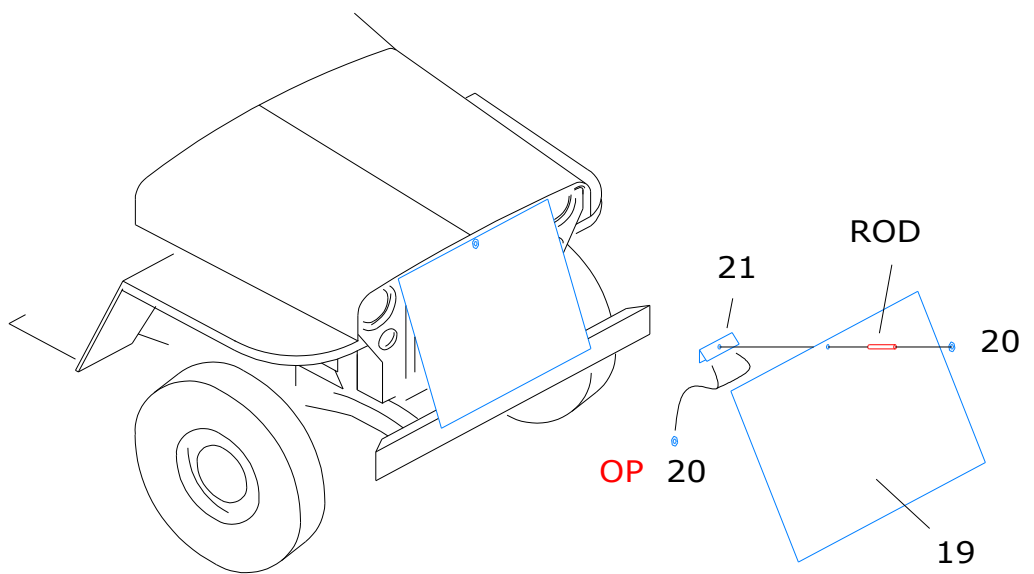
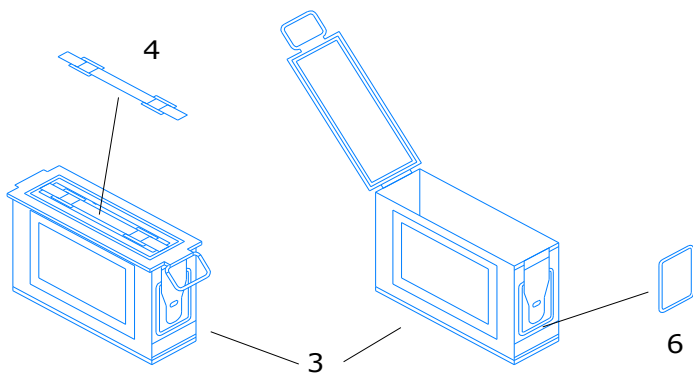
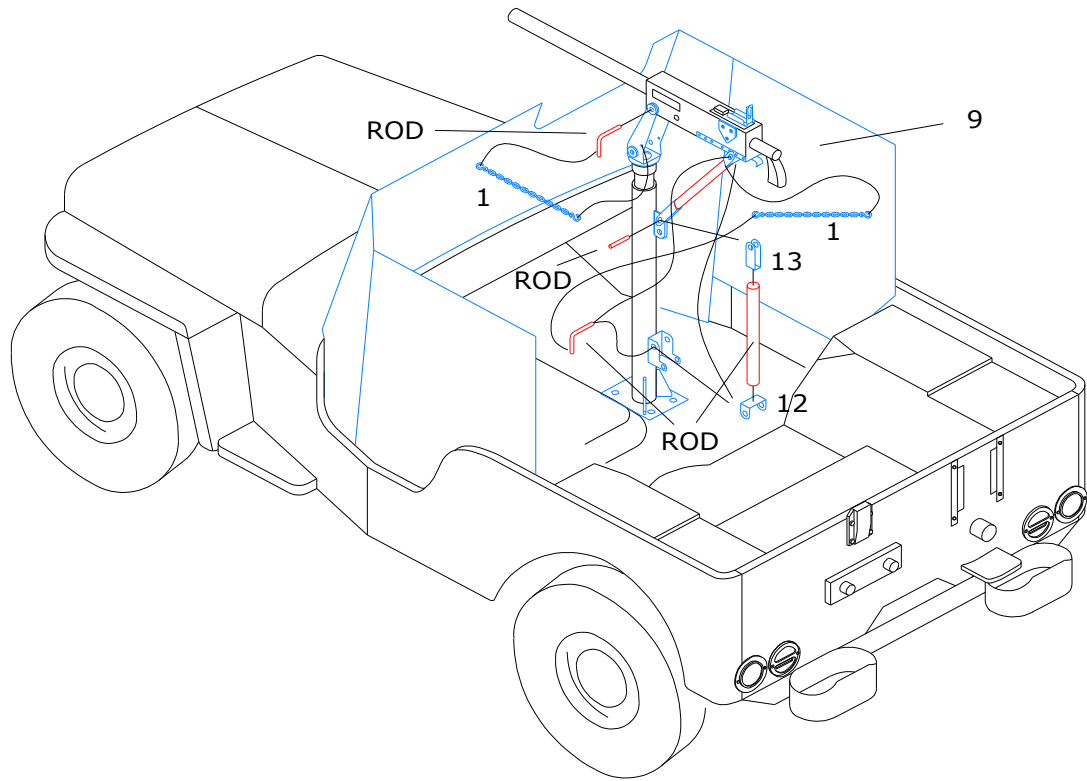
Armoured WWII U.S. Jeep

SCR510 U.S. WWII radio set

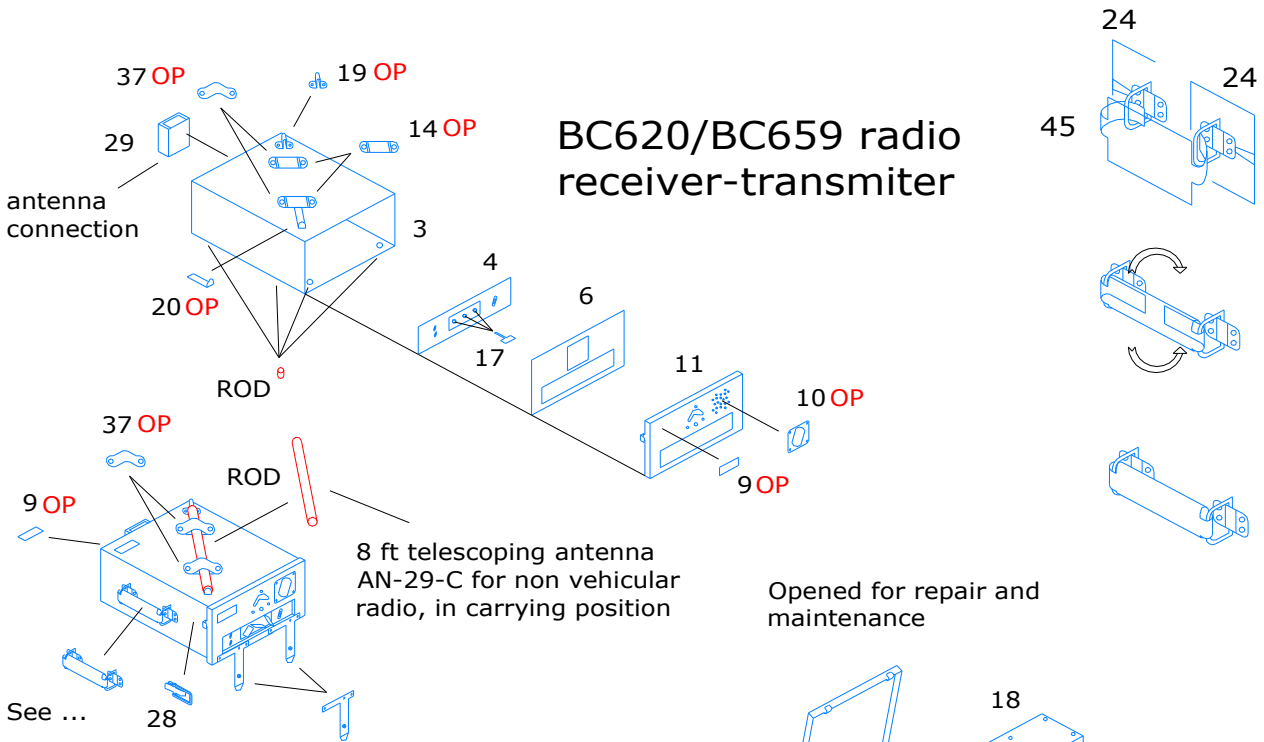


Armoured WWII U.S. Jeep

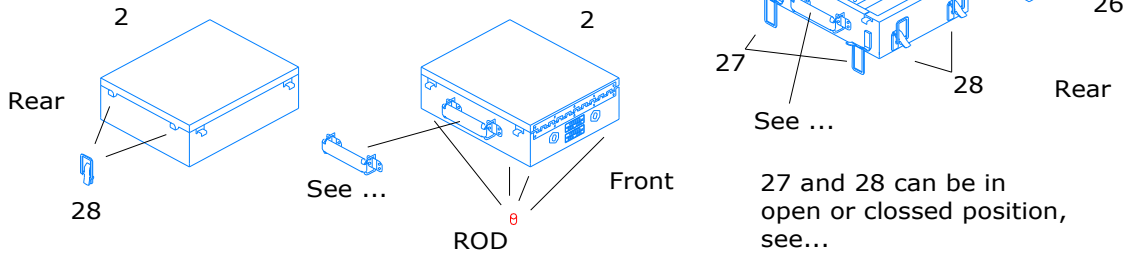




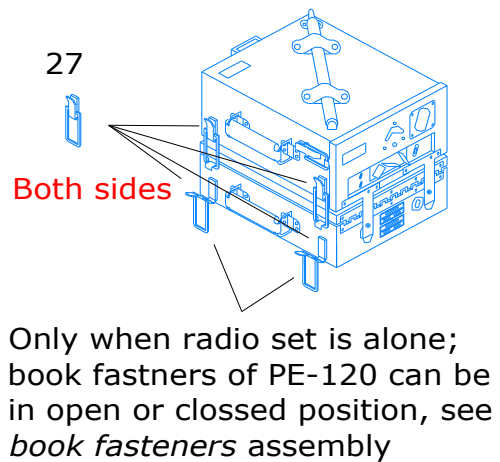
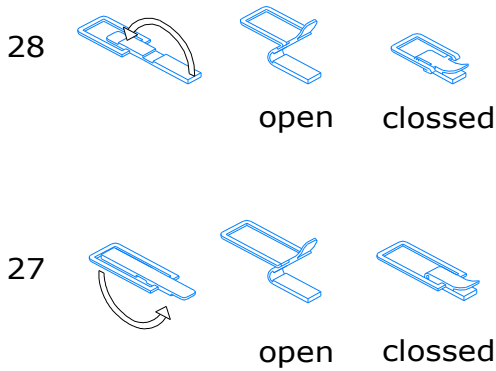
# SCR510 U.S. WWII radio set



## PE-120 power unit



## Book fasteners



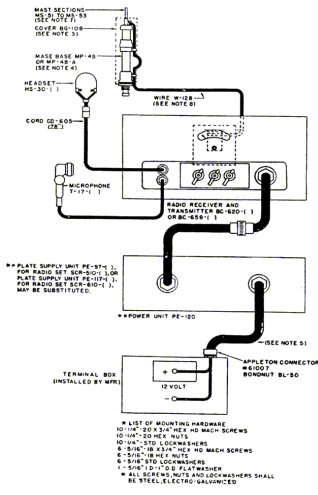


fig.2

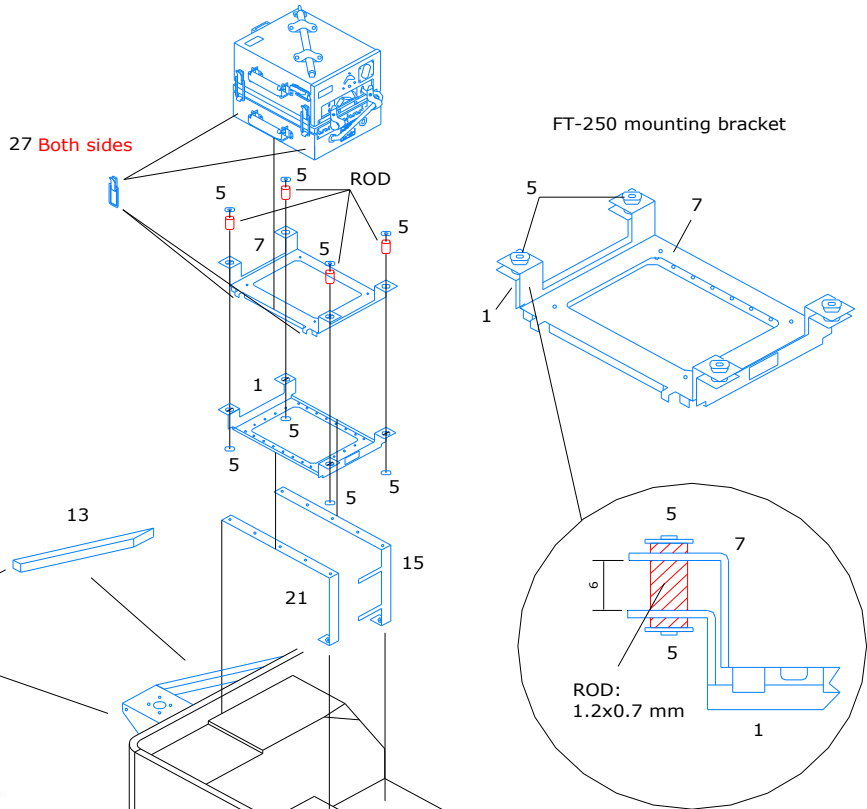
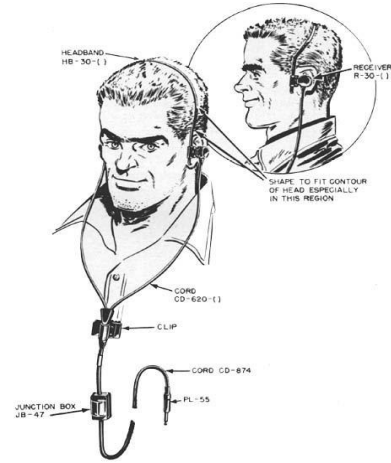
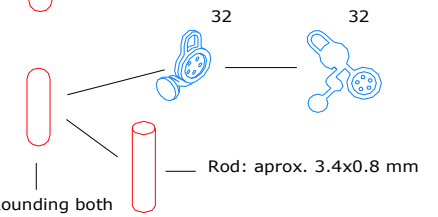


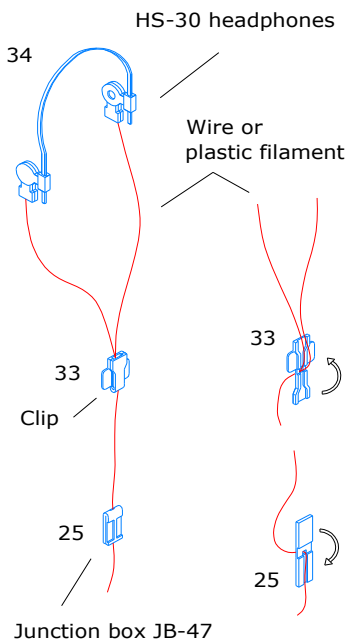
fig.1



T-17 microphone



HS-30 headphones set



Wire for antenna connection  
 (see fig.2)

