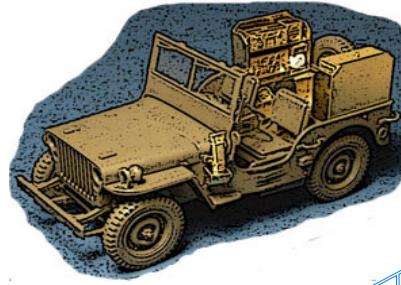


SCR-193 U.S. WWII radio set and bracket + stowage rack for WWII U.S. 1/4 ton 4x4 truck

GM35005

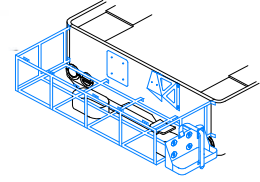
1/35 scale photoetched set



for advanced modelers

minor

Made in Spain 2011
www.minor-web.com



CAUTION This product contain small pieces,
not suitable for childrens under 10 years



Bend



Symmetrically
(Both sides)

OP
Optional

Original parts

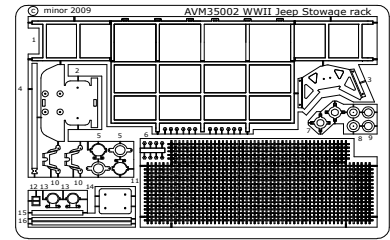
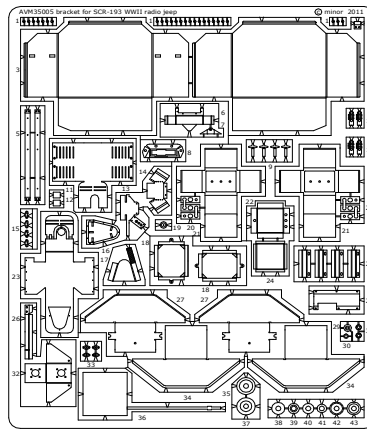
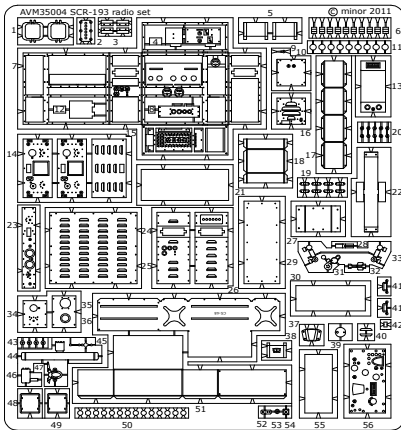
minor
kit parts

Scratchbuilt or
modified parts

AVM35004 SCR-193

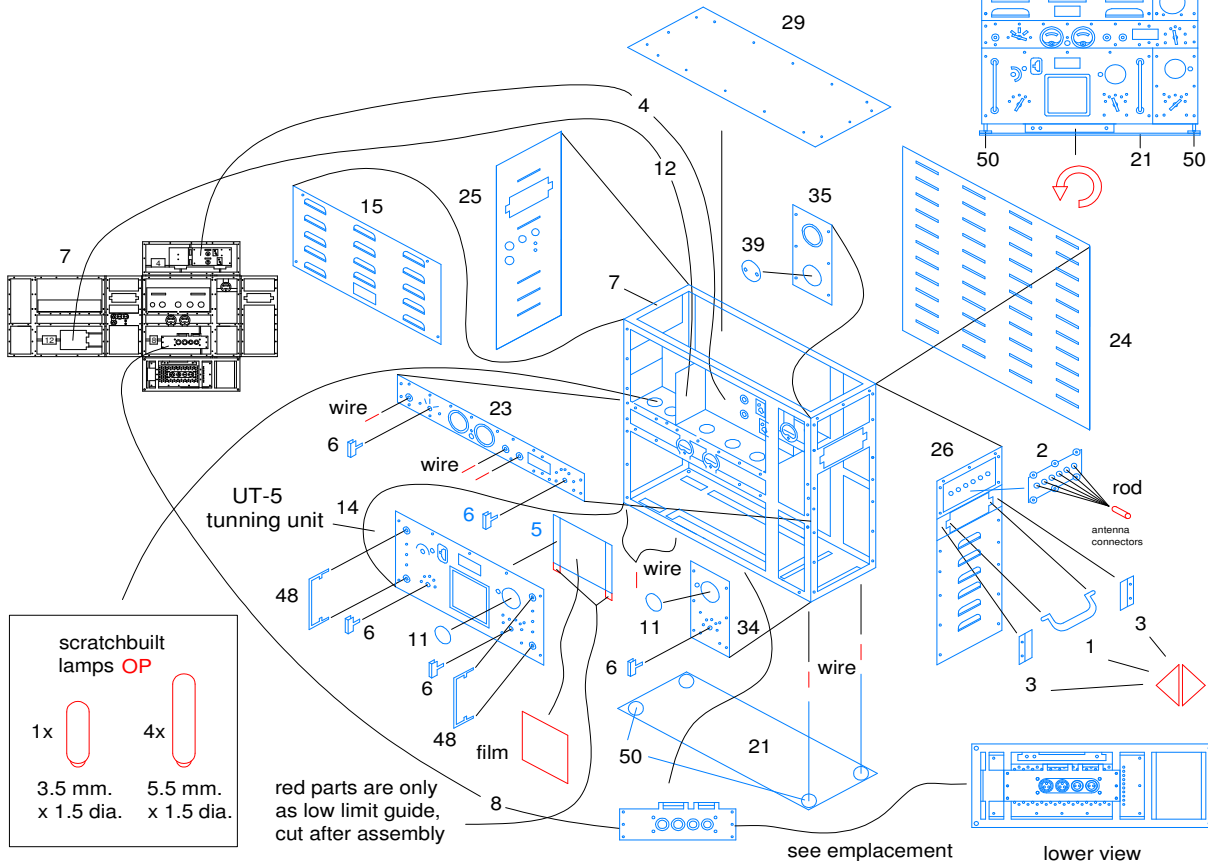
AVM35005 bracket

AVM35002 stowage rack

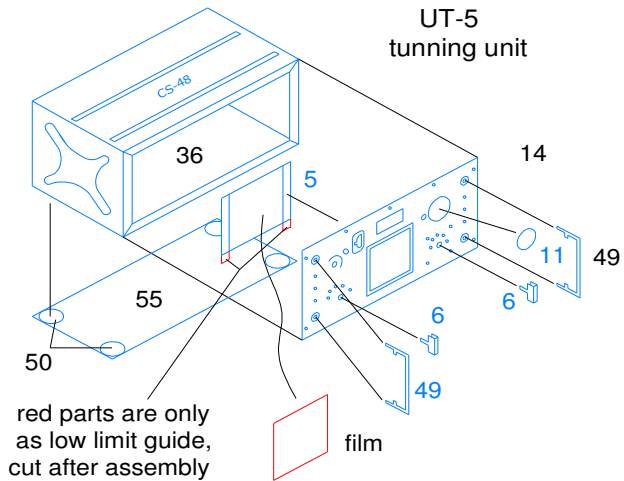


AVM35004 SCR-193 sheet

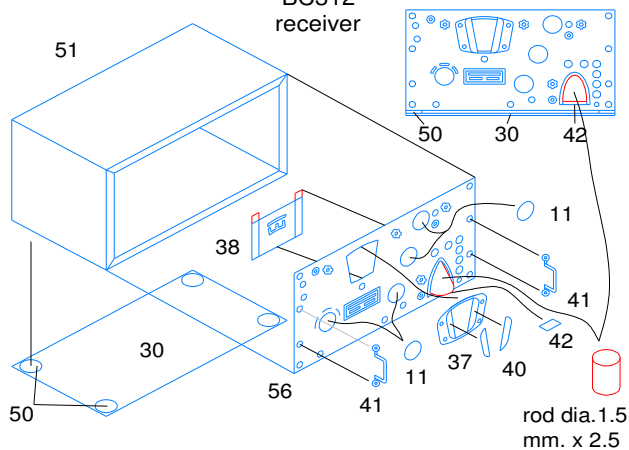
BC191
transmitter



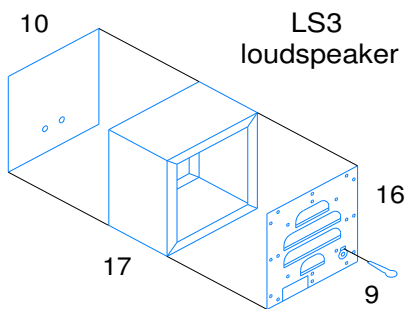
**UT-5
tuning unit**



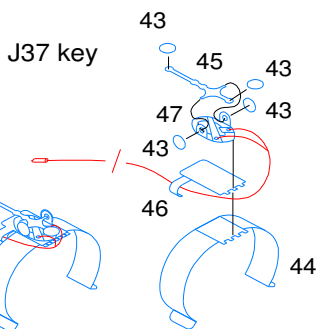
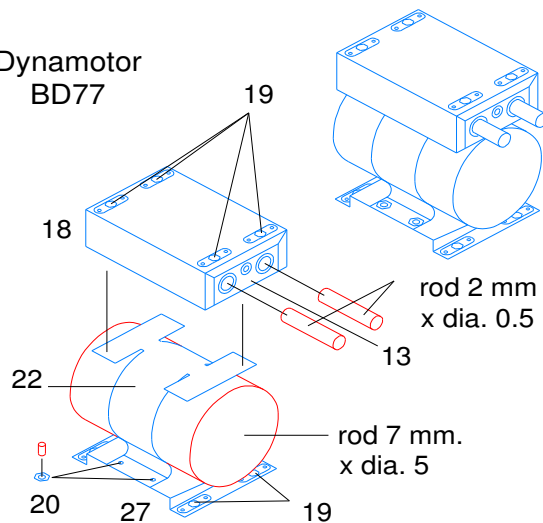
**BC312
receiver**



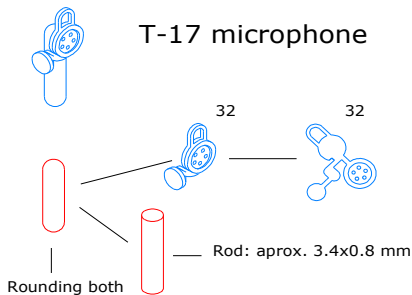
**LS3
loudspeaker**



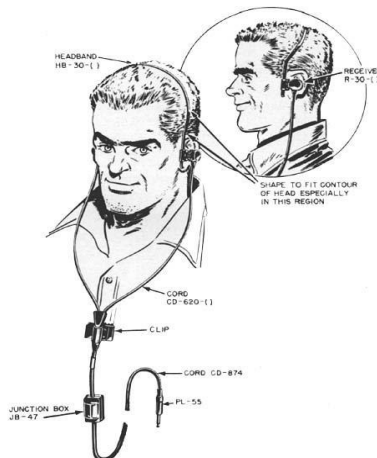
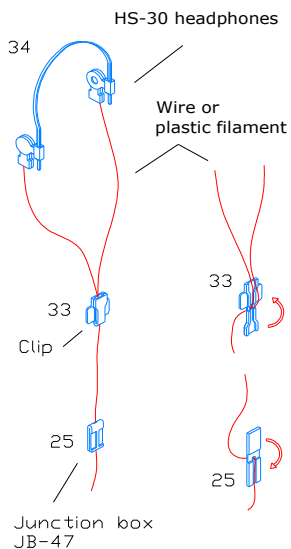
**Dynamotor
BD77**



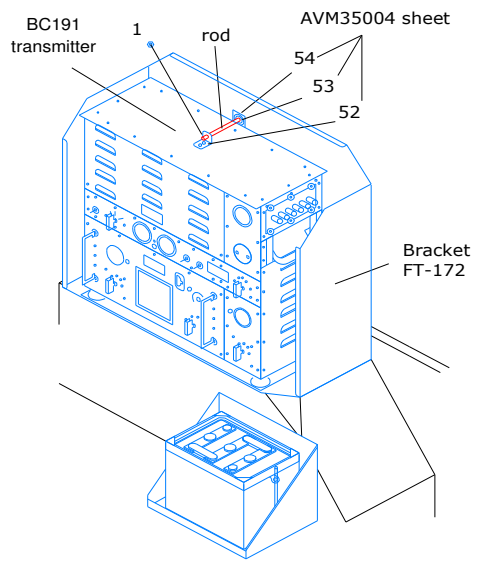
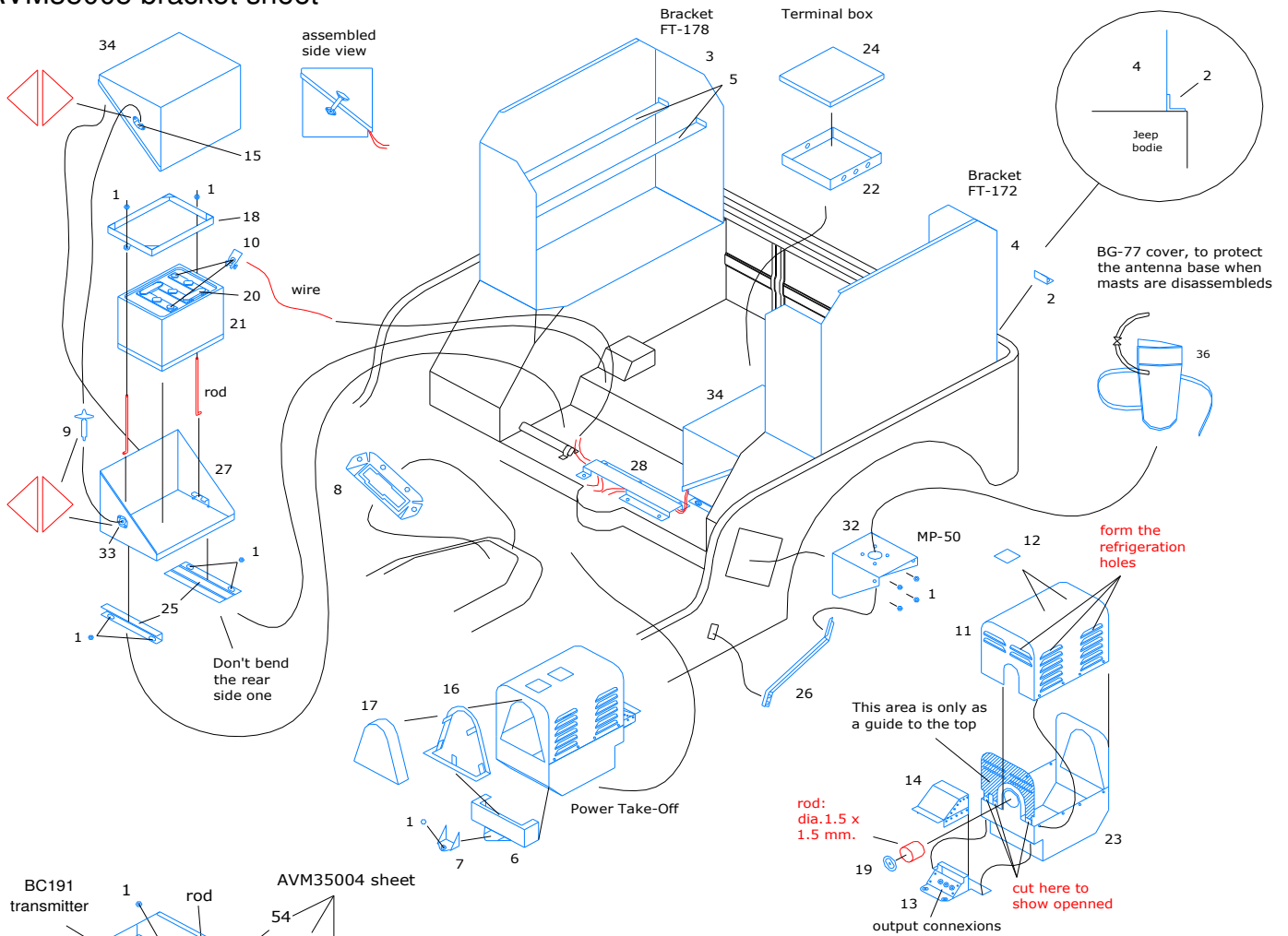
T-17 microphone



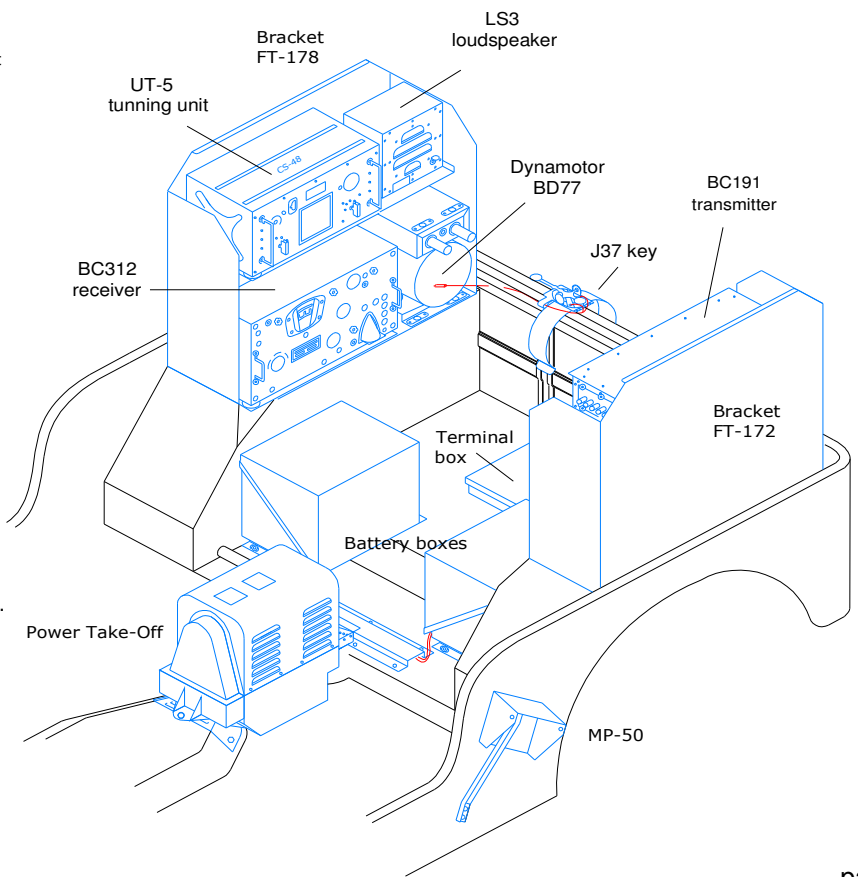
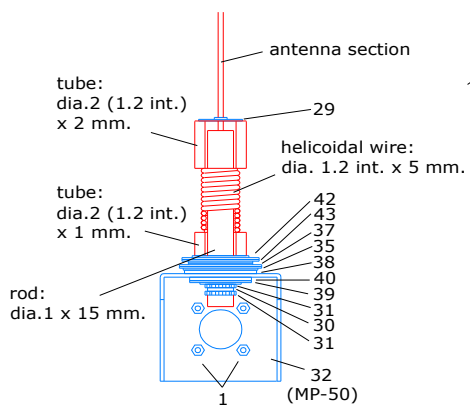
HS-30 headphones set

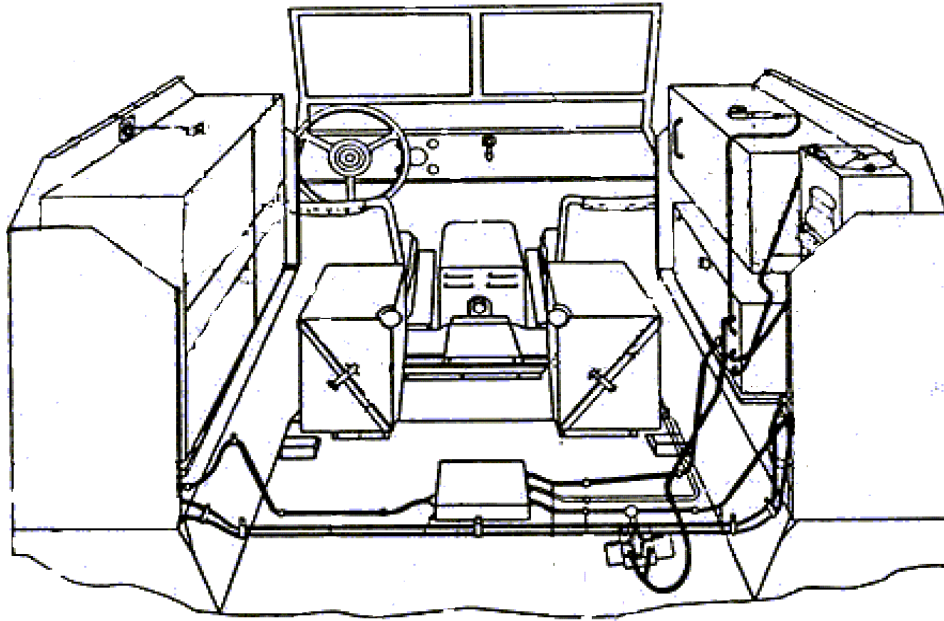


AVM35005 bracket sheet



SCRATCHBUILT MP-37 ANTENNA BASE





General display

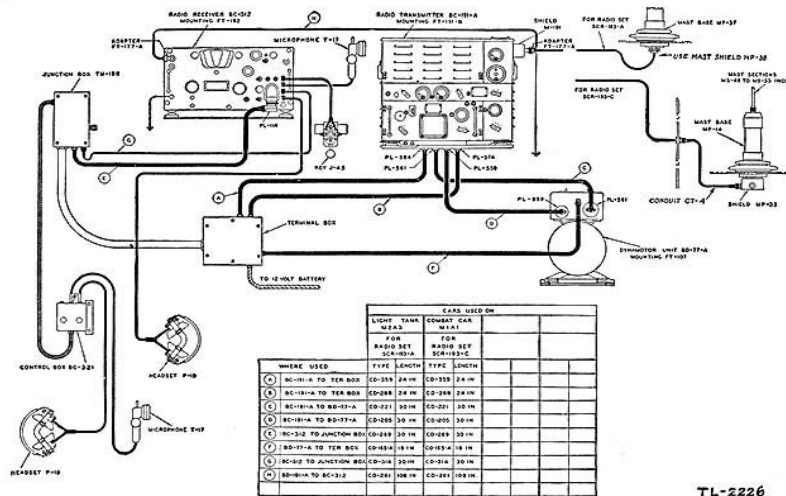
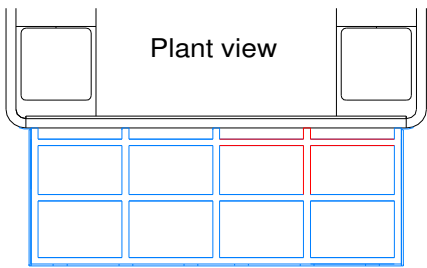
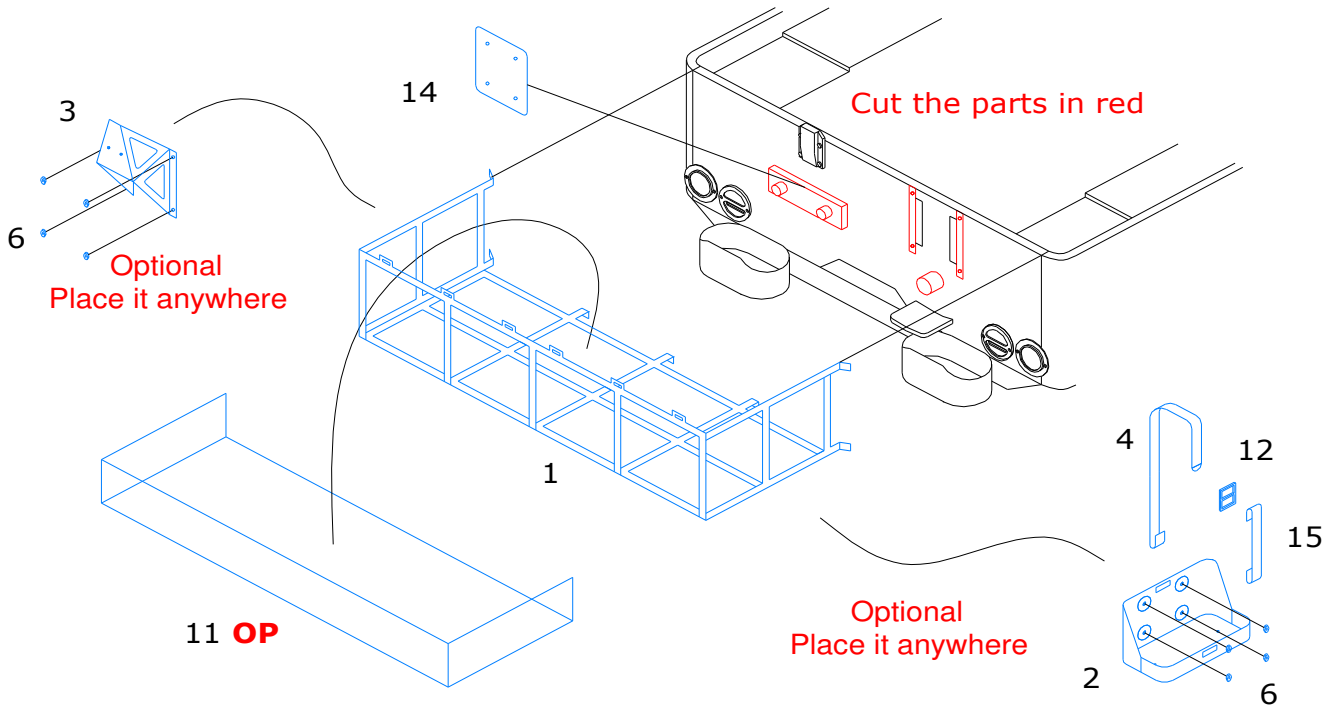


FIGURE 12.—Radio sets SCR-193-A and SCR-193-C, cording diagram.

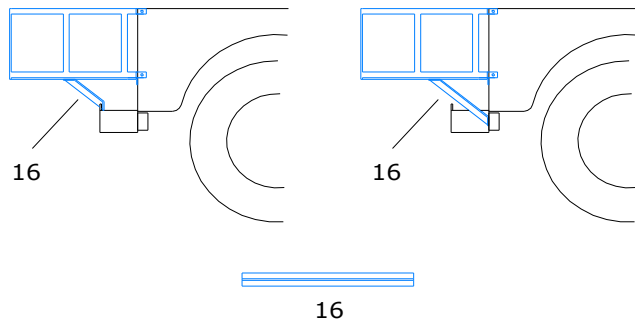
TL-2226

Connection diagram

AVM35002 stowage rack sheet



Cut the parts in red to mount the rack along the spare wheel



Place the reinforcements as your choice, cut the n°16 piece as large as required.

