

Armoured WWII Jeep with SCR-193 radio set + workable leaf springs

for WWII U.S. 1/4 ton 4x4 truck
GM35007 (VMT35009 + VMD35000)

UPDATED level "a" 18-April-2011

for Tamiya kit

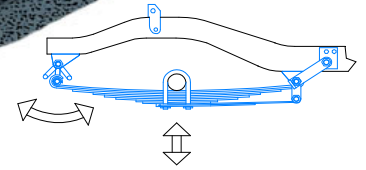
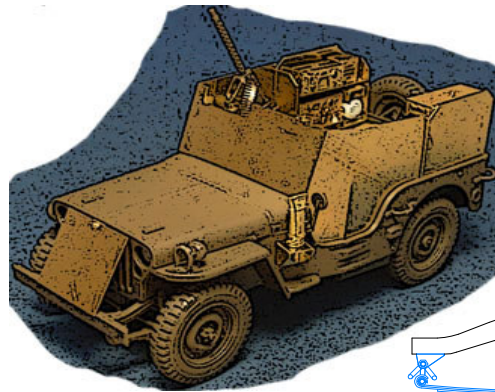
1/35 scale photoetched set

for advanced modelers



Made in Spain 2011
www.minor-web.com

CAUTION This product contain small pieces,
not suitable for childrens under 10 years



Bend



Symmetrically
(Both sides)

OP

Optional



Original parts

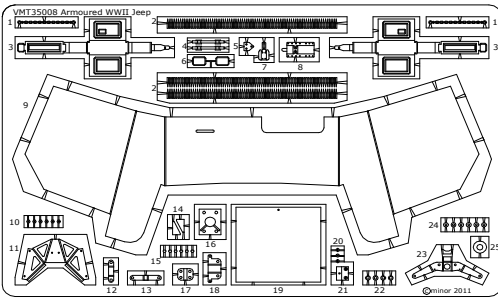


minor
kit parts

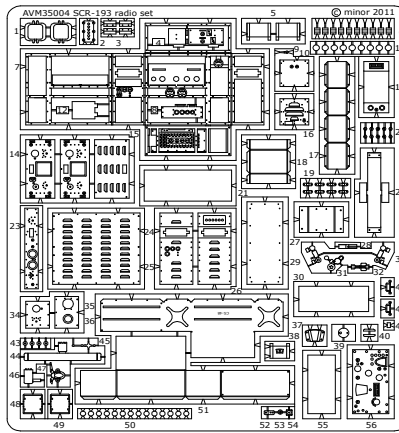


Scratchbuilt or
modified parts

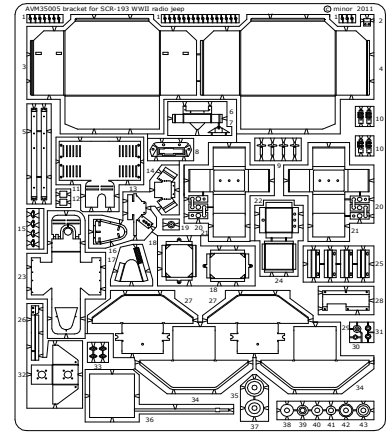
VMT35009 armoured Jeep



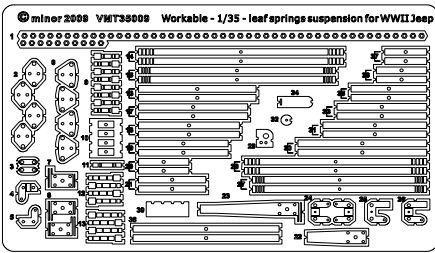
AVM35004 SCR-193



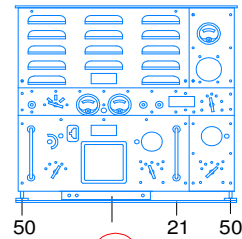
AVM35005 bracket



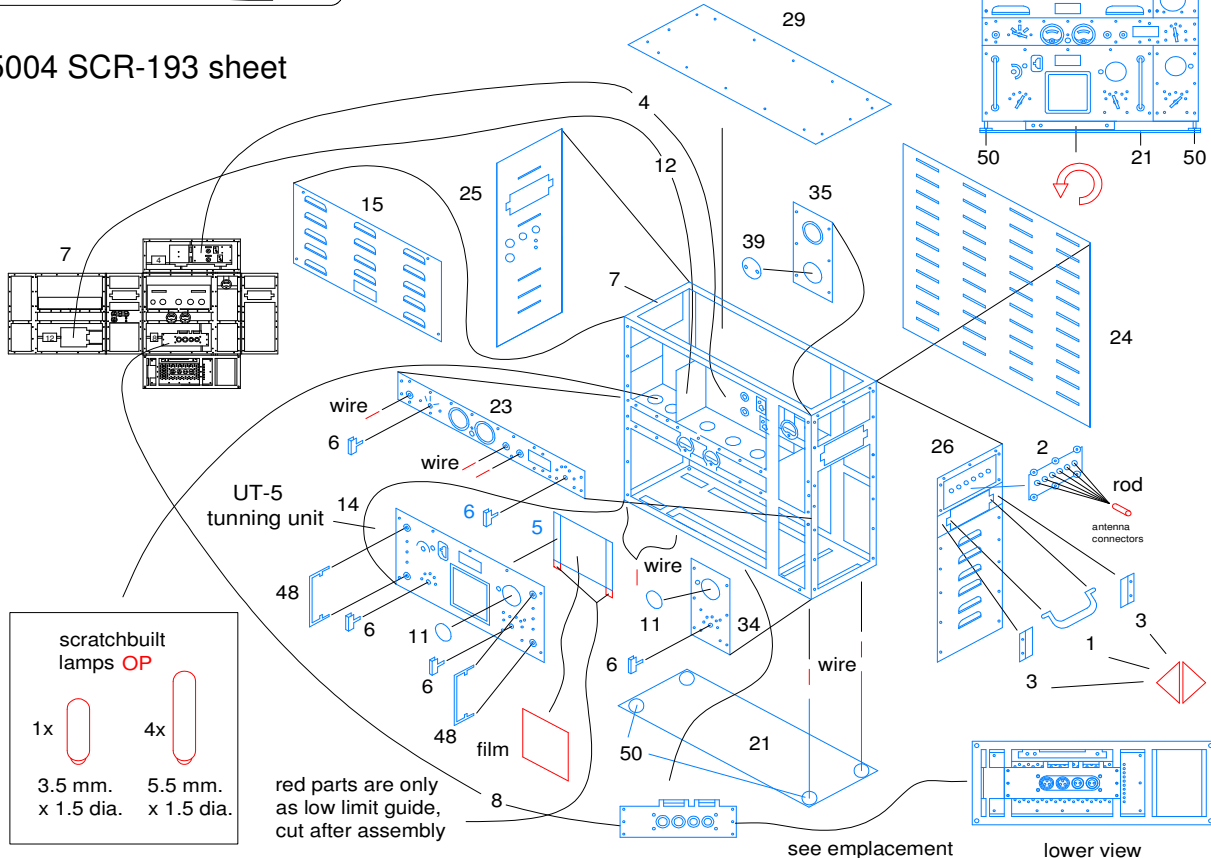
VMD35000 workable leaf springs



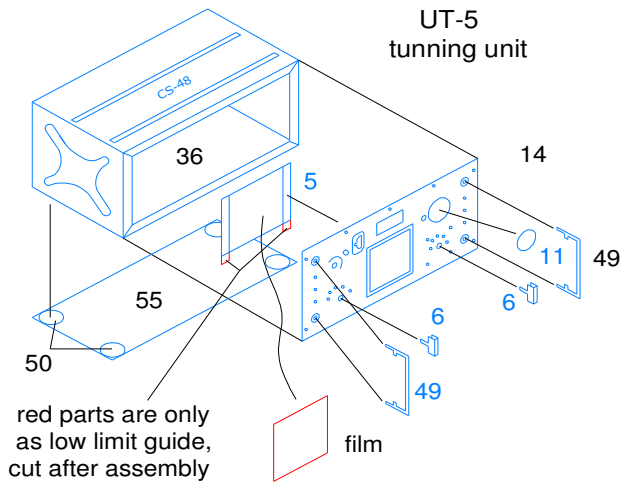
BC191
transmitter



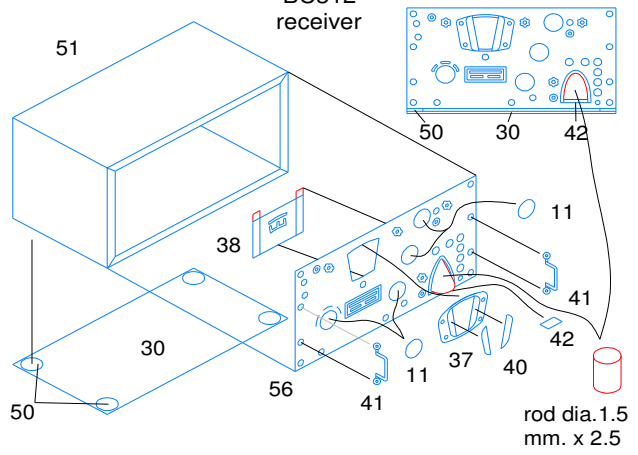
AVM35004 SCR-193 sheet



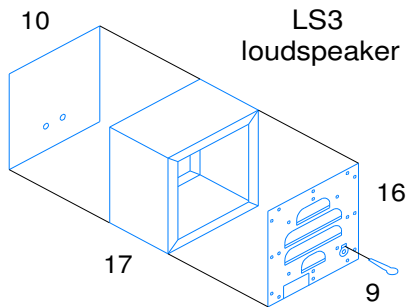
**UT-5
tunning unit**



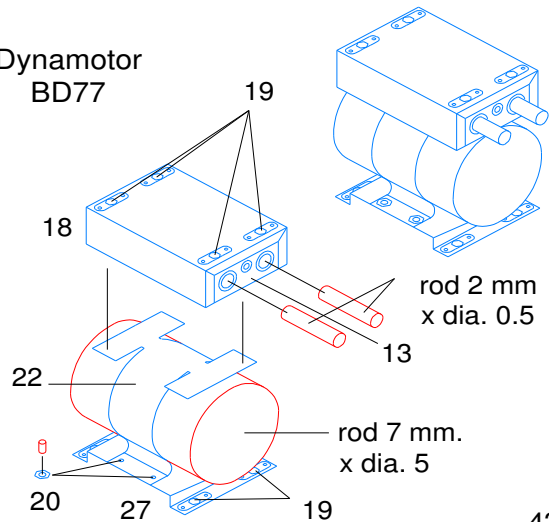
**BC312
receiver**



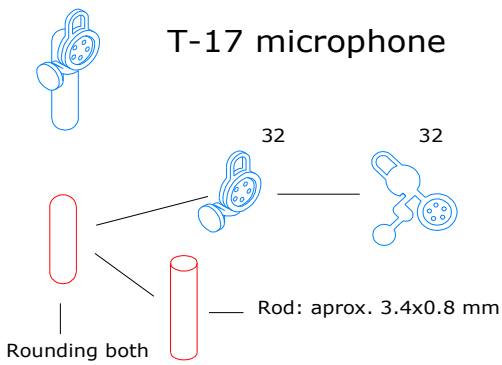
**LS3
loudspeaker**



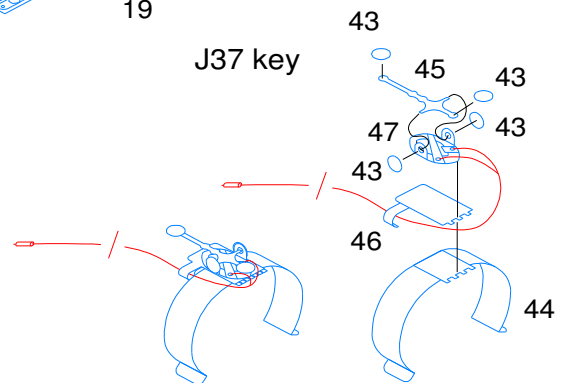
**Dynamotor
BD77**



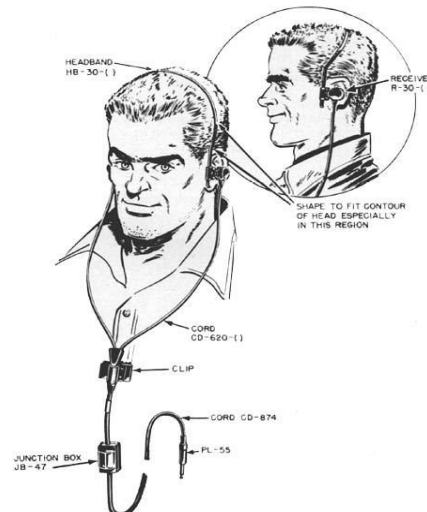
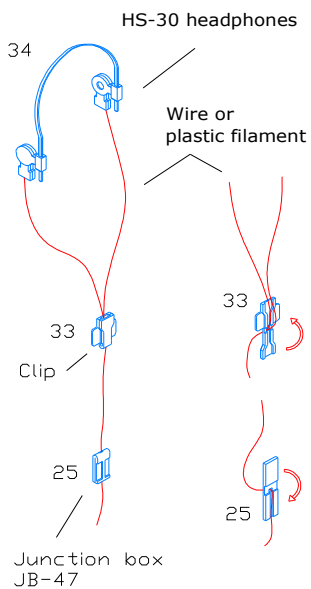
T-17 microphone



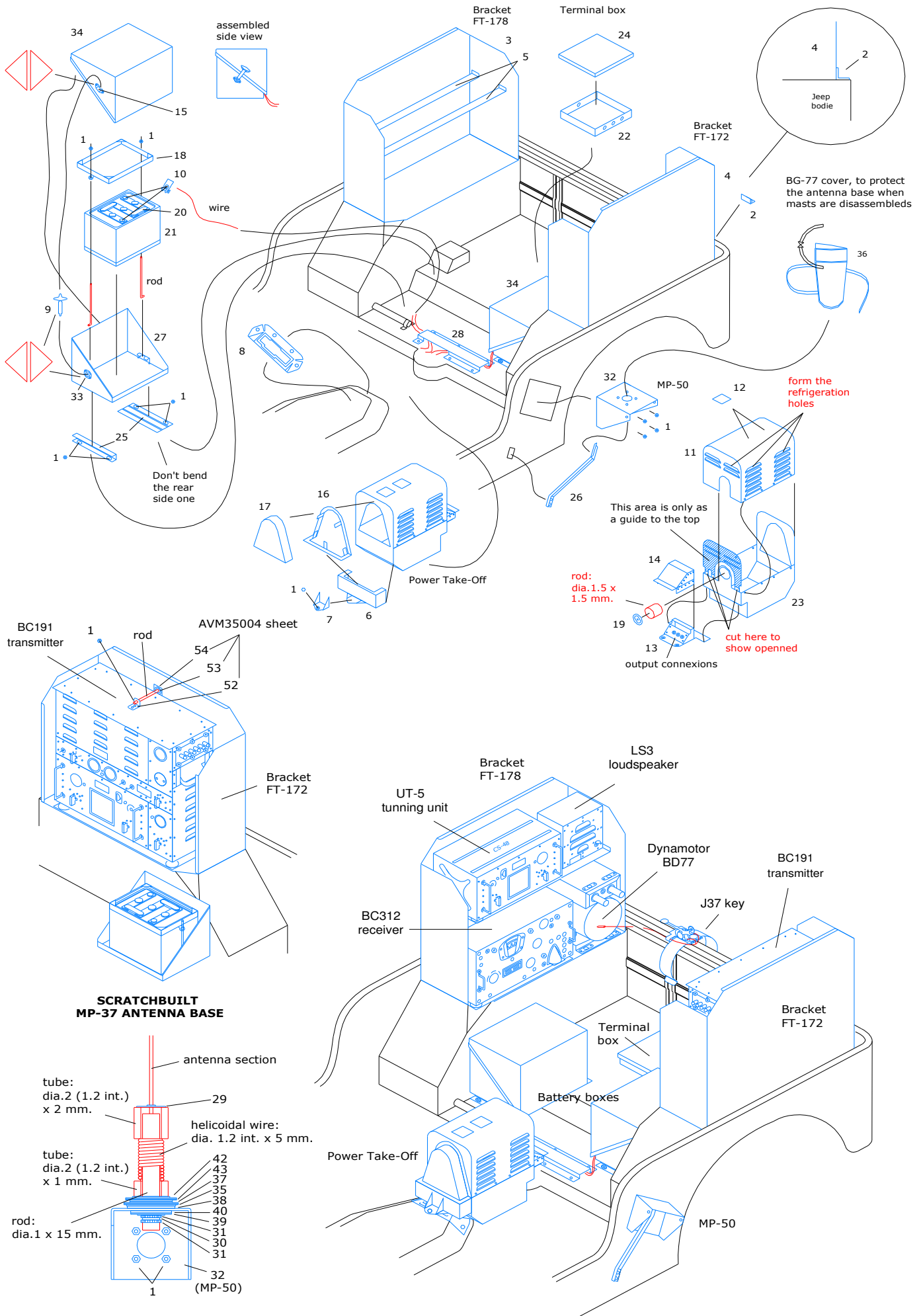
J37 key



HS-30 headphones set



AVM35005 bracket sheet



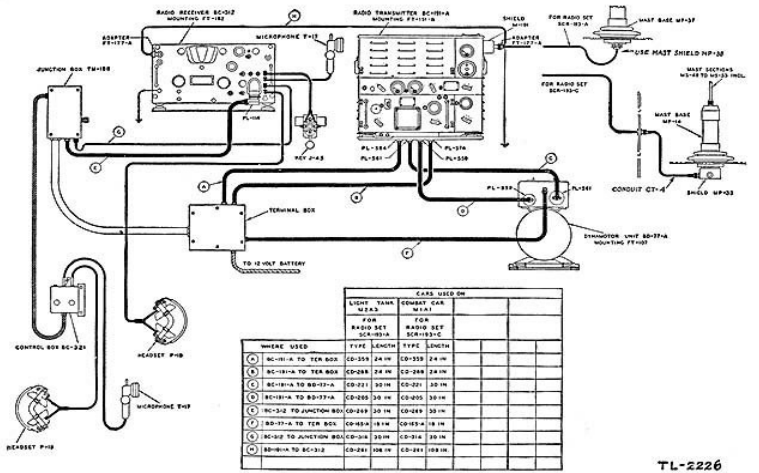
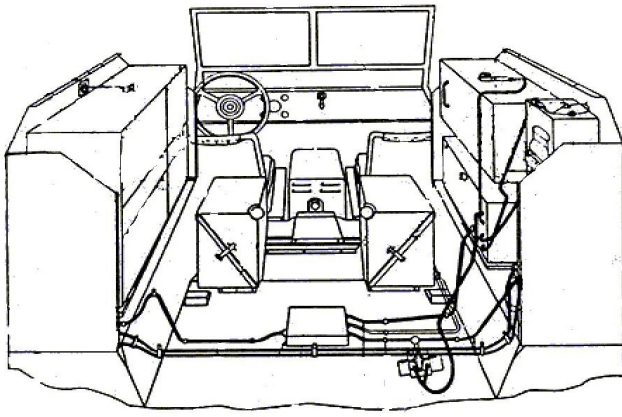
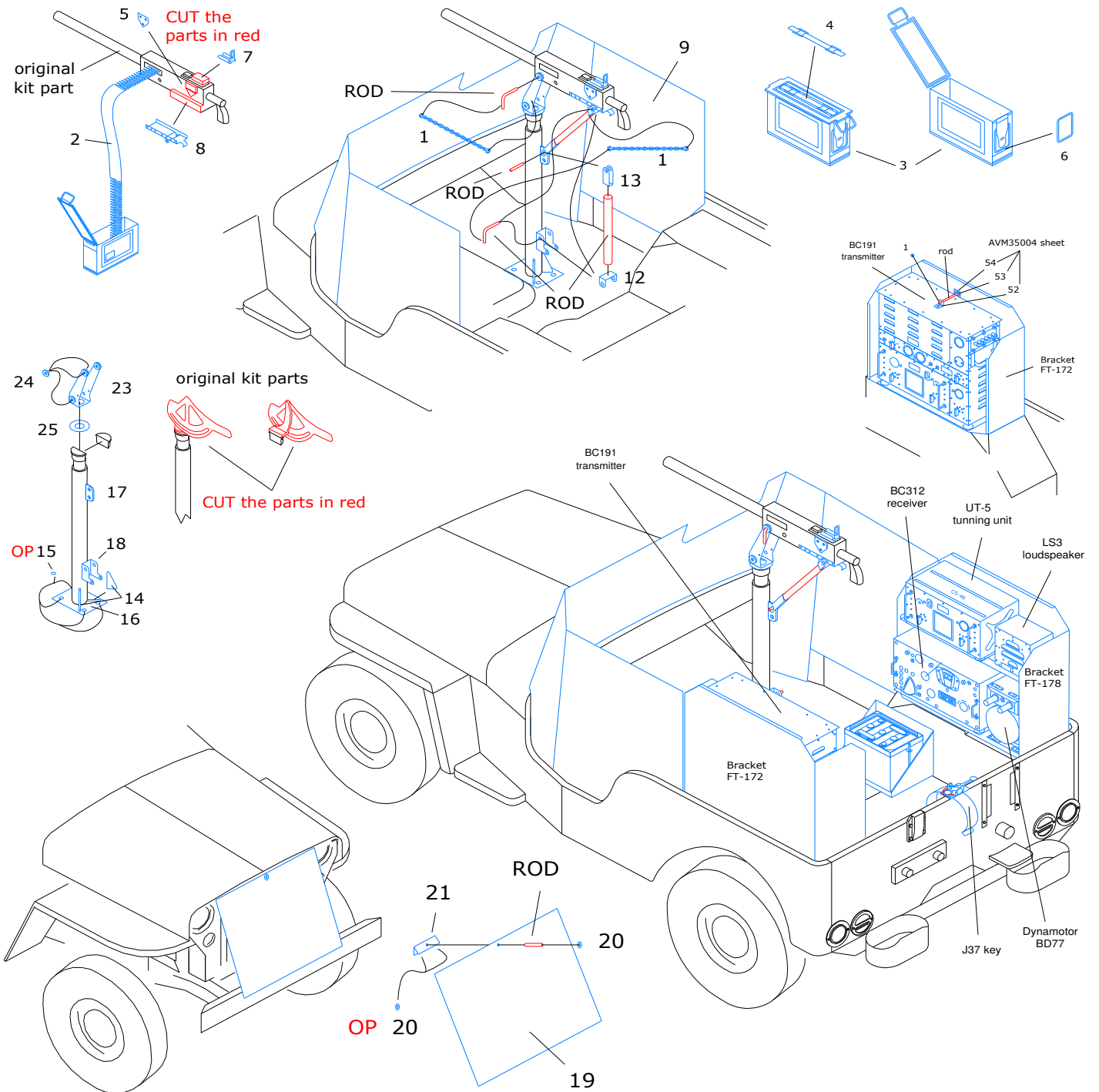


FIGURE 12.—Radio sets SCR-199-A and SCR-199-C, cording diagram.

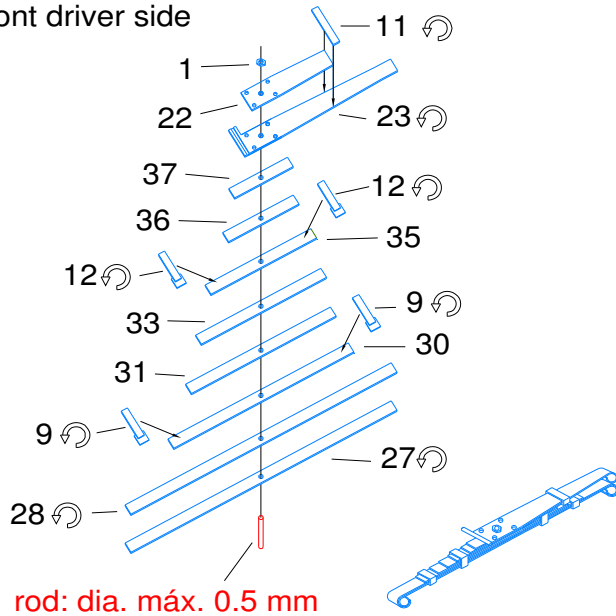
TL-2226

VMT35009 armoured Jeep sheet

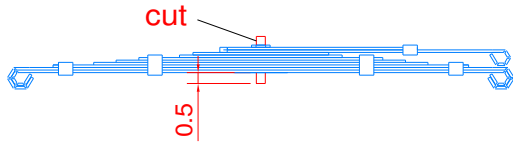


VMD35000 workable leaf springs sheet

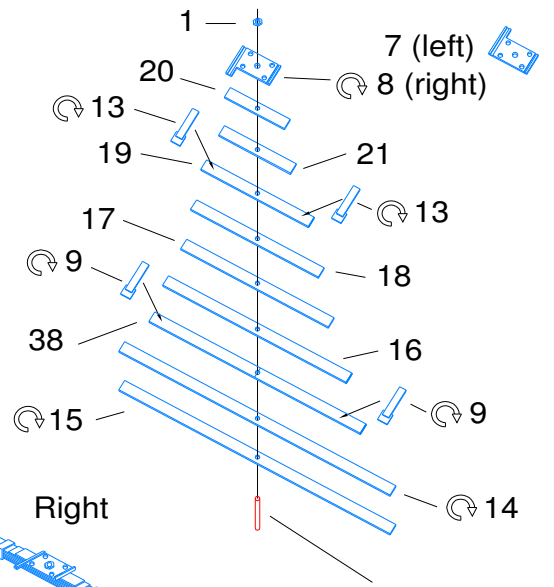
Front driver side



rod: dia. máx. 0.5 mm



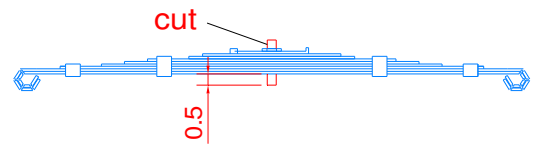
Rear springs



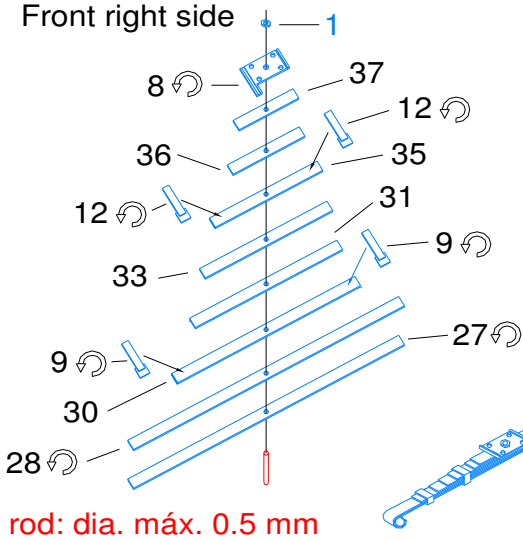
rod: dia. máx. 0.5 mm

Left

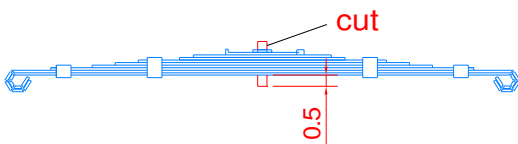
Right

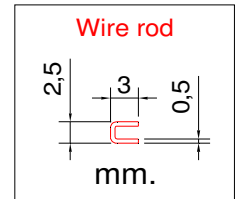
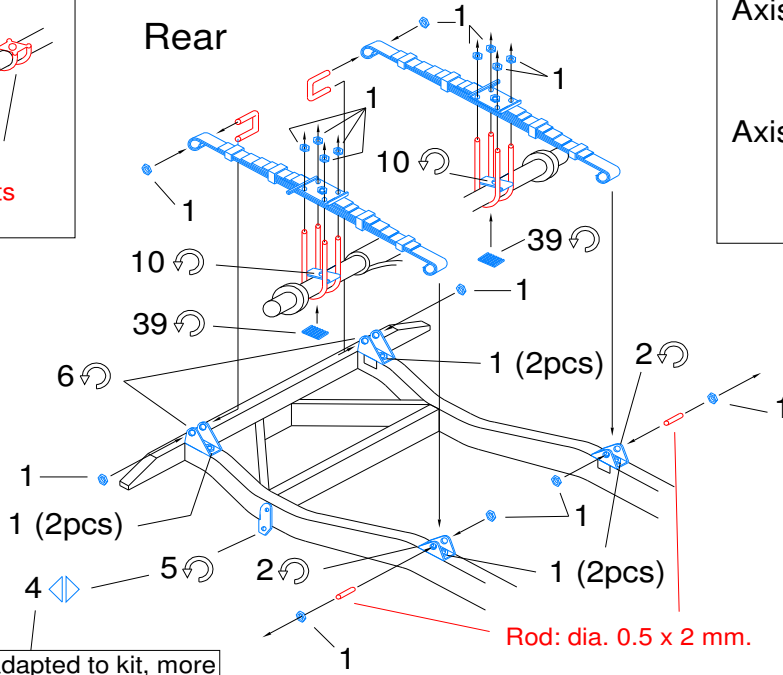
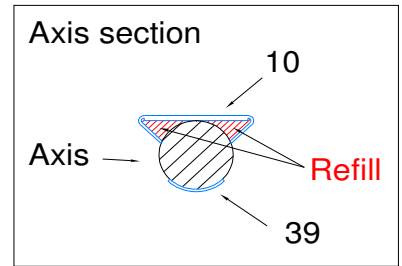
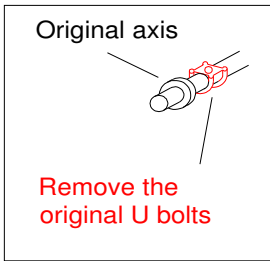


Front right side



rod: dia. máx. 0.5 mm





n° 4&5 are adapted to kit, more realistic pieces are n° 25&26.

