

M48 dash gun mount and accessories

(AVM35020) & SCR-510/620 radio (AVM35003)

& Storage rack (AVM35002)

& Workable leaf springs (VMD35000)

for WWII U.S. 1/4 ton 4x4 truck

GM35012

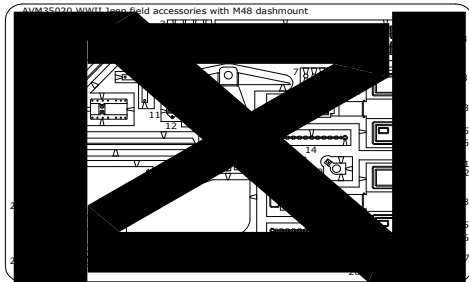
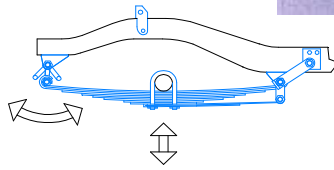
1/35 scale photoetched set

minor 

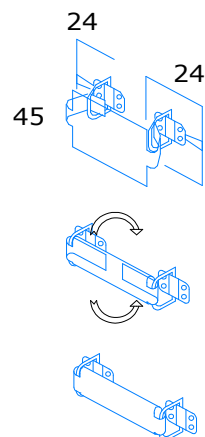
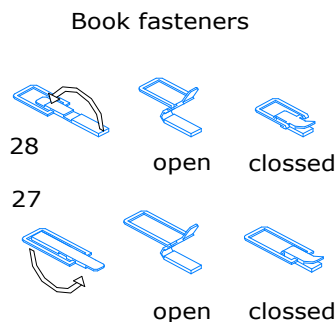
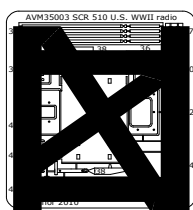
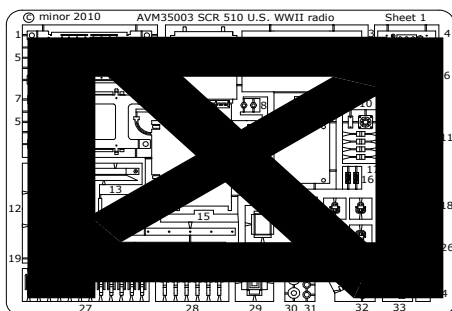
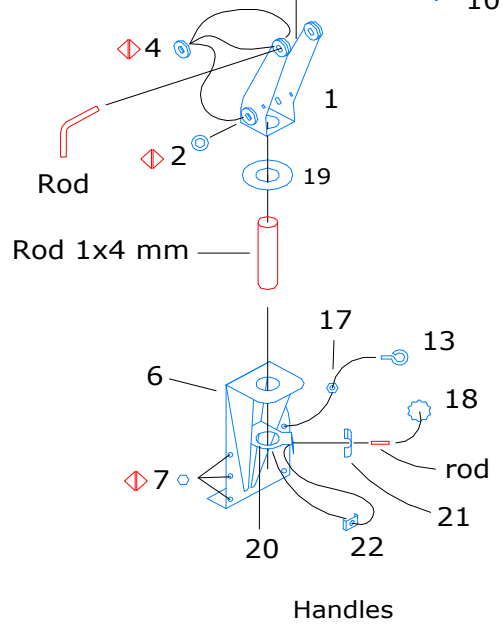
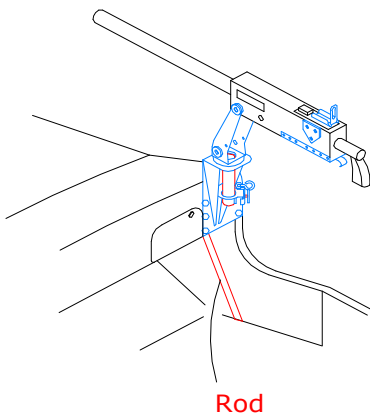
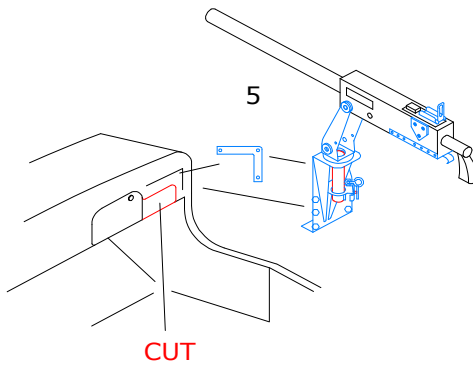
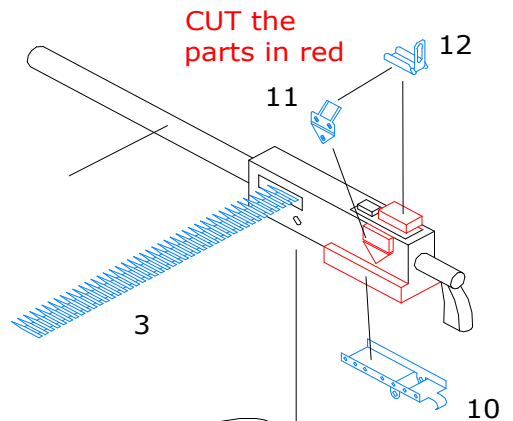
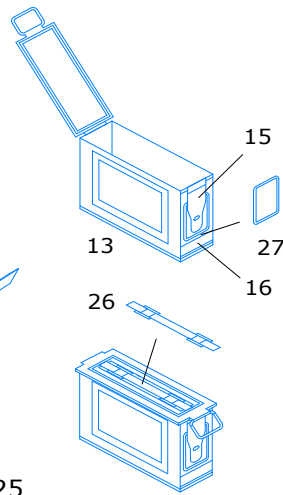
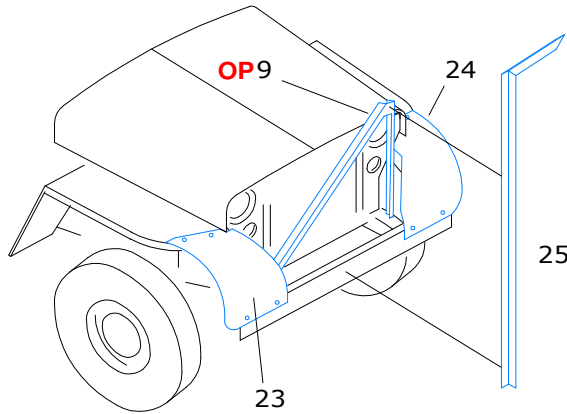
Made in Spain 2012

www.minor-web.com

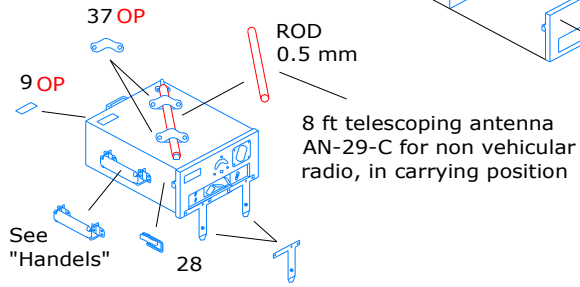
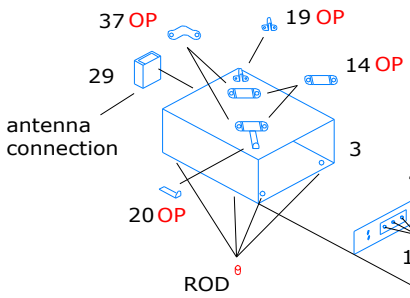
CAUTION This product contain small pieces,
not suitable for childrens under 10 years



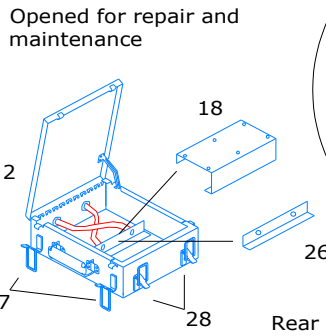
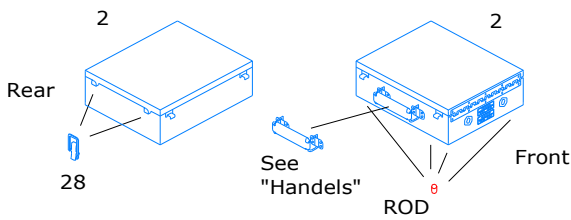
 Bend
 Symmetrically (Both sides)
OP Optional
 Original parts
 minor kit parts
 Scratchbuilt or modified parts



BC620/BC659 radio receiver-transmitter

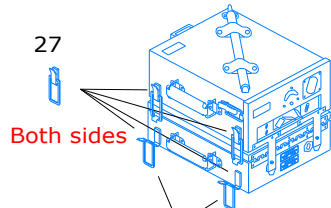
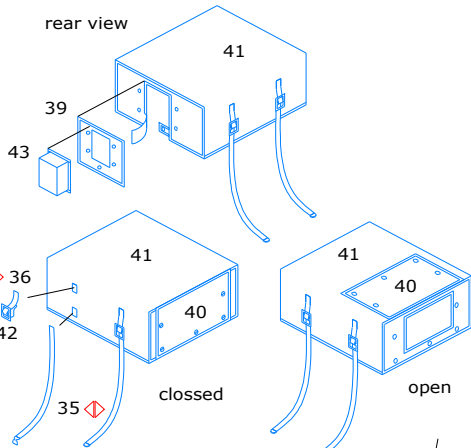
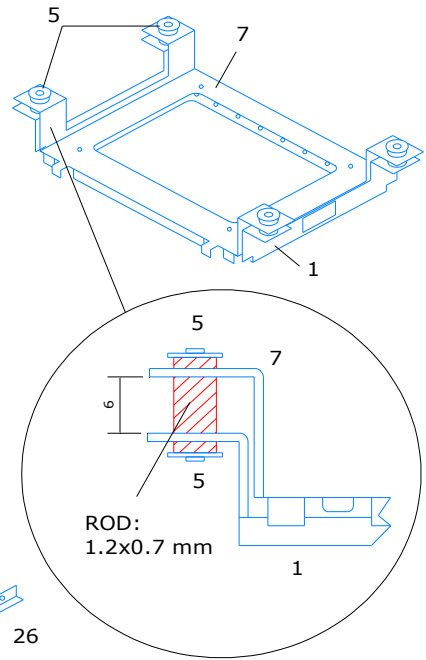


PE-120 power unit

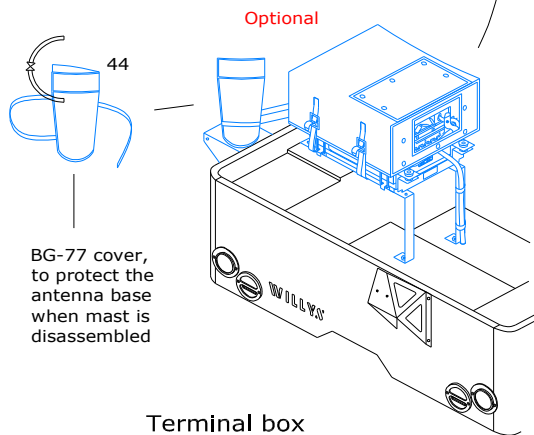
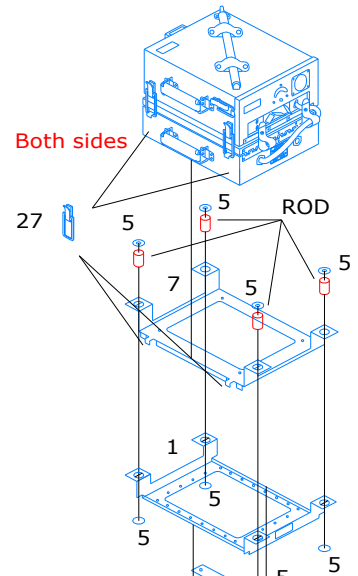


27 and 28 can be in open or closed position

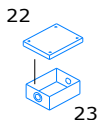
FT-250 mounting bracket



Only when radio set is alone; book fasteners of PE-120 can be in open or closed position, see "book fasteners" assembly



Terminal box



See fig.3 for placement

HS-30 headphones set

