

# SCR-508

US WWII vehicular radio set

+ FT-285 mount

GM35019

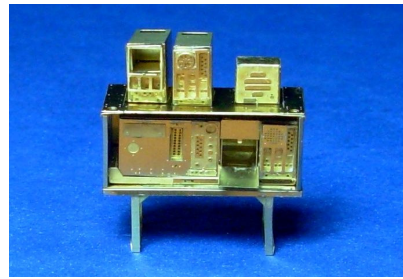
1/35 scale photoetched accessory set

minor 

Made in EU 2013

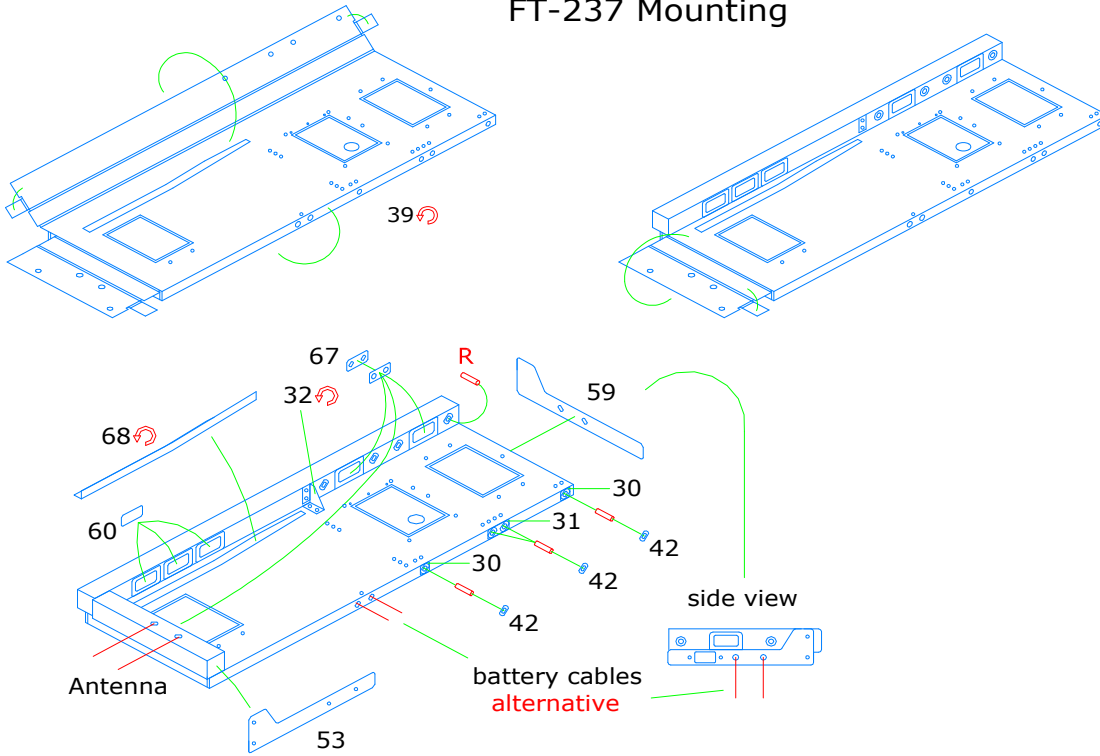
[www.minor-web.com](http://www.minor-web.com)

**CAUTION** This product contain small pieces,  
not suitable for childrens under 10 years



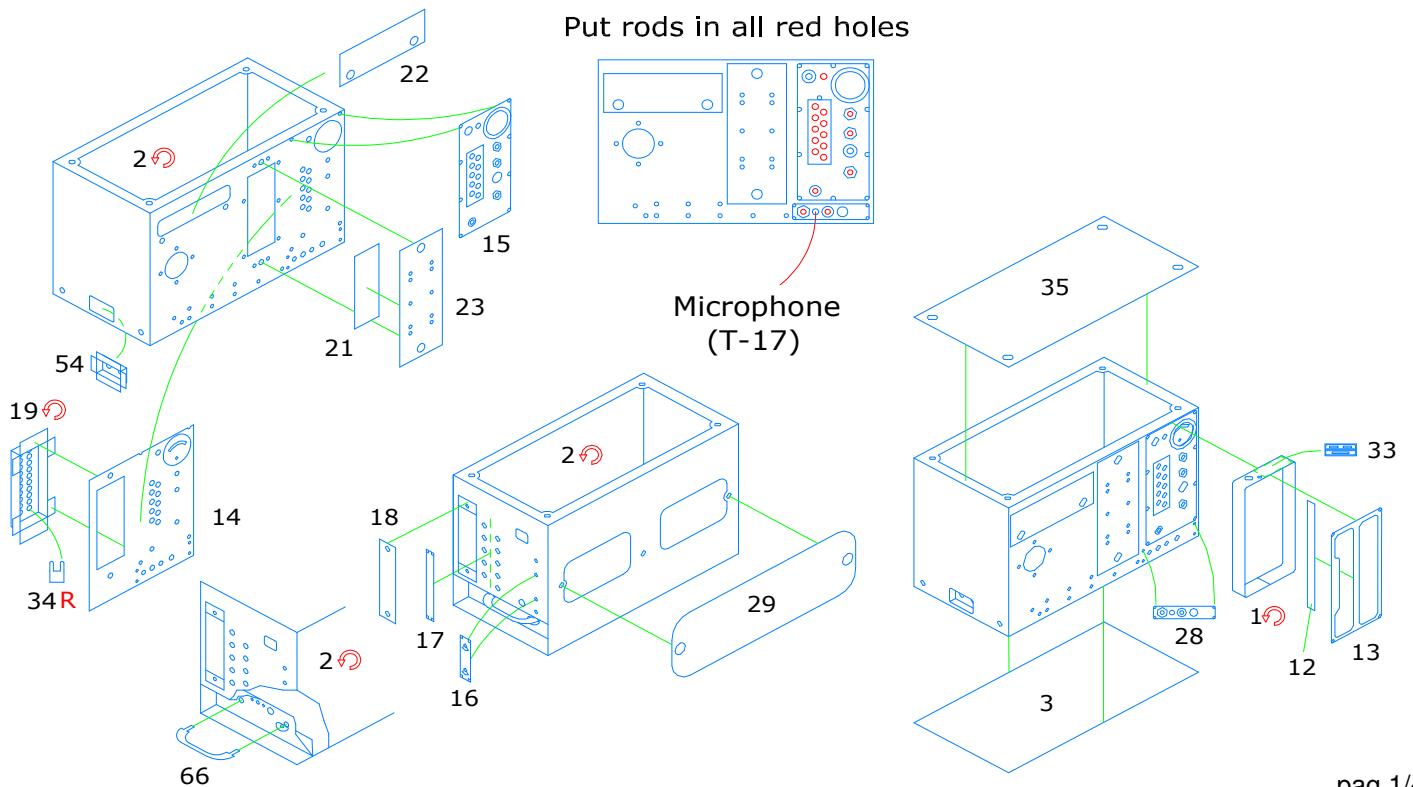
 Bend  Symmetrically (Both sides) **OP** Optional **I** Put into  Original parts  minor kit parts  Scratchbuilt or modified parts **R** Repeat on all similars

## FT-237 Mounting

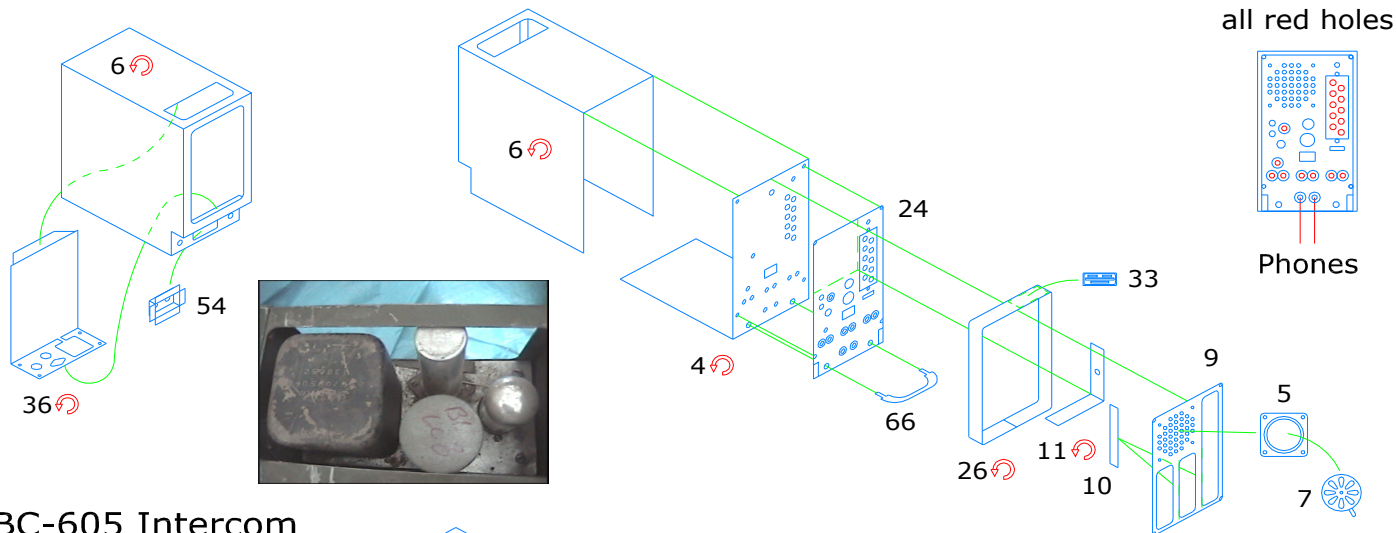


## BC-604/684 Transmitter

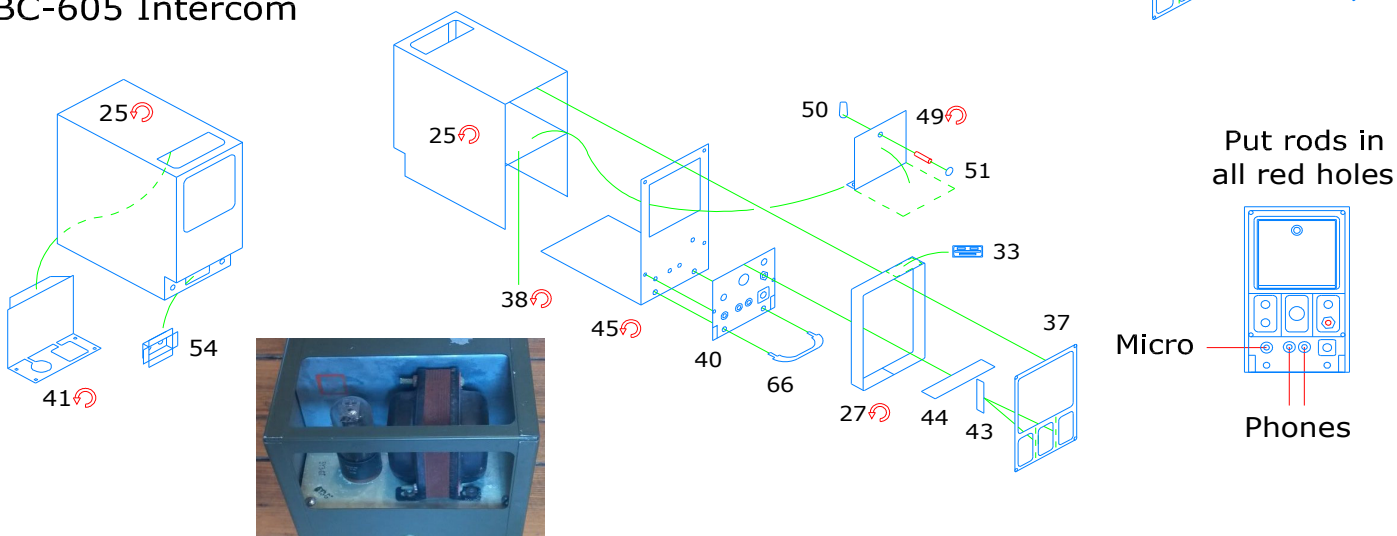
Put rods in all red holes



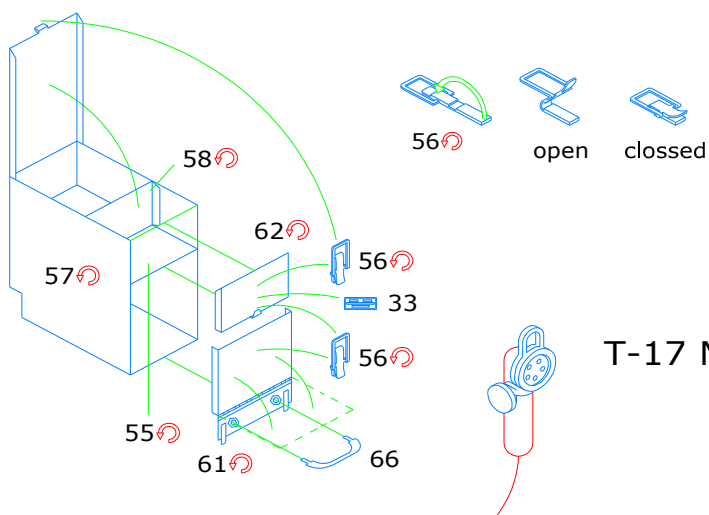
## BC-603/683 Receiver (2 units)



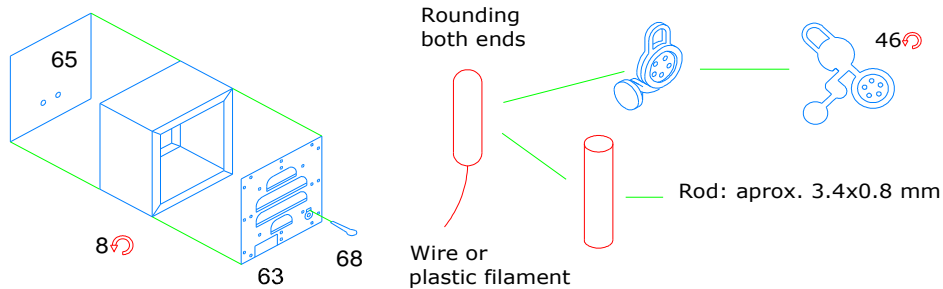
## BC-605 Intercom



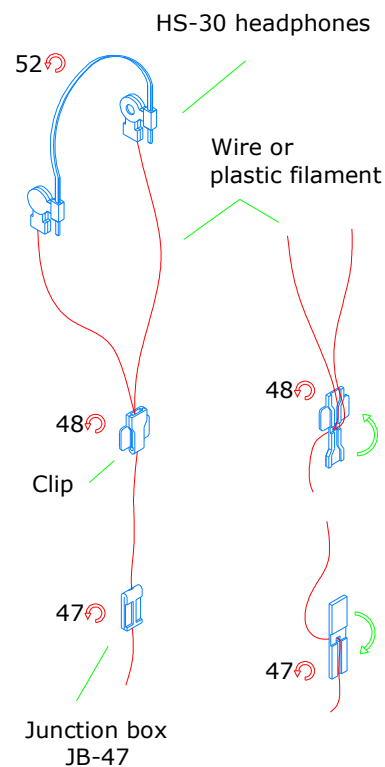
## CH-264 Chest



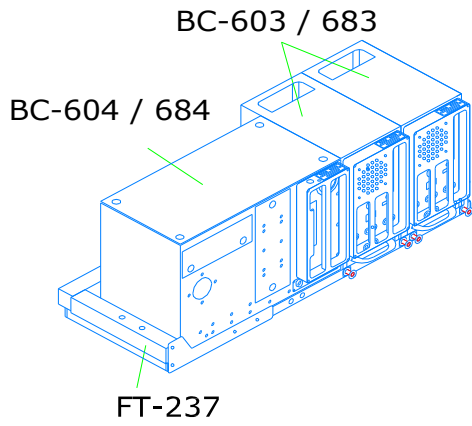
## LS-3 Loudspeaker



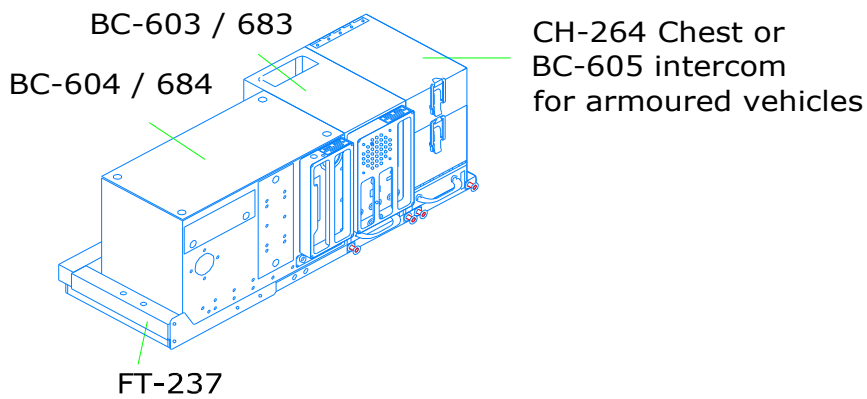
## HS-30 Headphones



SCR-508 / 608 : BC-604 / 684 (x1) , BC-603 / 683 (x2)



SCR-528 / 628 : BC-604 / 684 (x1) , BC-603 / 683 (x1)



SCR-508 series: for low frequency range, 20-27.9 MHz. Output 30W. 12-24 VDC.  
SCR-608 series: for high frequency range, 27-28.9 MHz. Output 20W. 12-24 VDC.

fig.1

Optional

